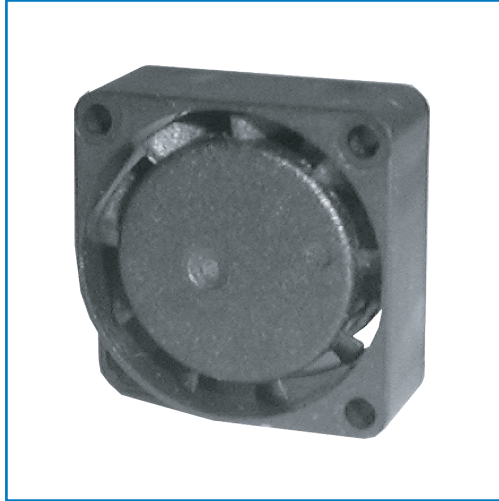
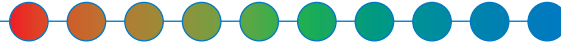


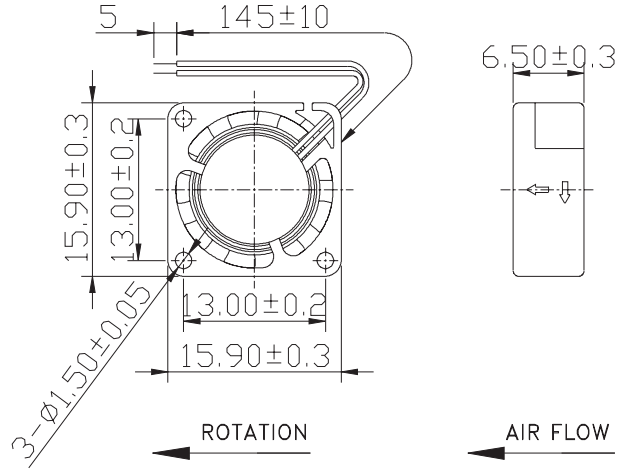
DC Fan

AD1506 Series



It's suitable for small space, cell phone, PDA, etc.

External Dimensions



Frame:Plastic(UL:94V-0)
 Impeller:Plastic(UL:94V-0)
 Bearing:Hypro bearing
 Lead wire:UL1571AWG30
 VOLTAGE AVAILABLE:5V

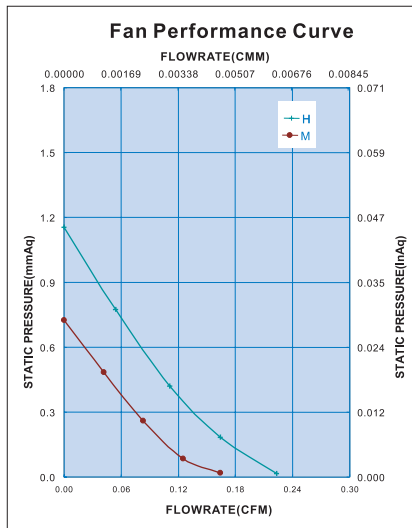
Specifications(Nominal)

*:Noise is measured at the distance of one (1) meter from the axis of intake.

Frame size (mm)	Model No.	Bearing System Type	Rated Voltage (VDC)	Rated Current (A)	Rated Power (W)	Rated Speed (rpm)	Maximum AirFlow		Maximum Pressure		Noise Level (dB/A)	Weight (g)
							(CMM)	(CFM)	(InAq)	(mmAq)		
	AD1505LX-K90	●	5	0.05	0.25	9000	0.003	0.10	0.020	0.510	9.8	
15x15x06	AD1512MX-K90	●	12	0.04	0.48	12000	0.005	0.16	0.029	0.726	12.0	1.4
	AD1512HX-K90	●	12	0.05	0.60	15000	0.006	0.22	0.045	1.155	19.0	

Bearing type: ●=Ball※=Sleeve○=1B1S●=Hypro bearing

Specifications subject to change without notice.



*Motor protective circuit and third lead wire functions

0	1	2	3	4	6	7	8	9	A	B
✓										

*Safety approvals

				✓	

