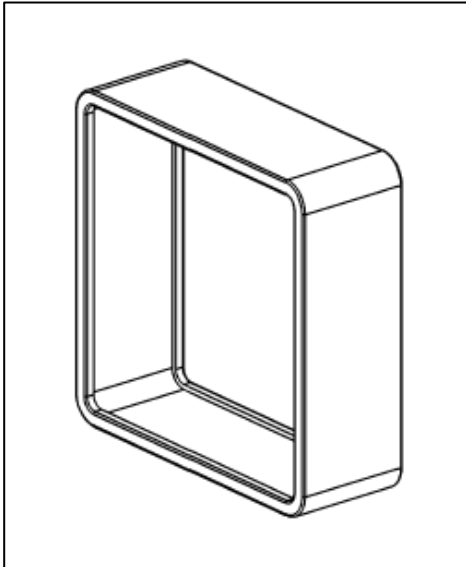




# Accessories

## A) Fan Grommet Spec: FG-8025MM-LF

**80mm x 80mm x 25mm**



MATERIAL:  
318 BLACK NEOPRENE  
ASTM D200 M5BC703

NOTE:  
1 ) PARTS TO BE PACKED TO  
PREVENT PHYSICAL DAMAGE.

