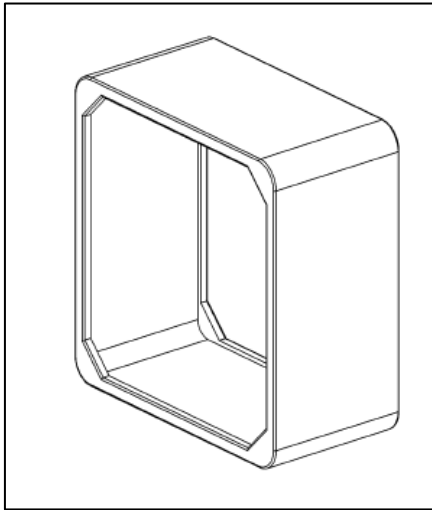




Accessories

A) Fan Grommet Spec: FG-8038MM-LF

80mm x 80mm x 38mm



MATERIAL:
318 BLACK NEOPRENE
ASTM D200 M5BC703

NOTE:
1) PARTS TO BE PACKED TO
PREVENT PHYSICAL DAMAGE.

