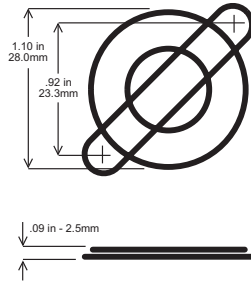




25mm (1.0")

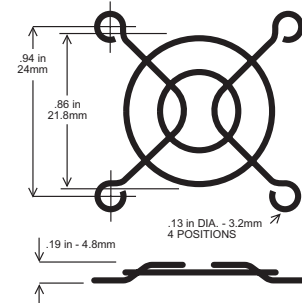
MFG25-W1-LF



Ring Diameter: 1.4 mm
Rib Diameter: 1.4 mm

30mm (1.25")

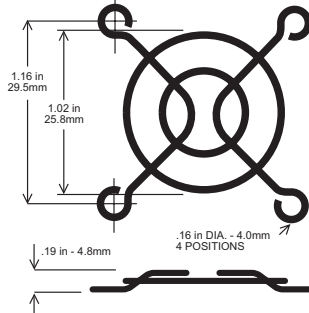
MFG30-W1-LF



Ring Diameter: 1.6 mm
Rib Diameter: 1.6 mm

35mm (1.375")

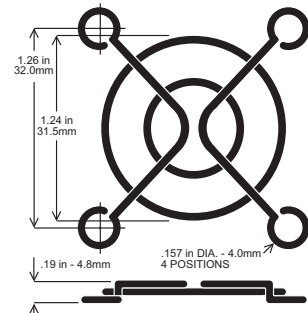
MFG35-W1-LF



Ring Diameter: 1.6 mm
Rib Diameter: 1.6 mm

40mm (1.5")

MFG40-W2-LF



Ring Diameter: 1.6 mm
Rib Diameter: 1.6 mm

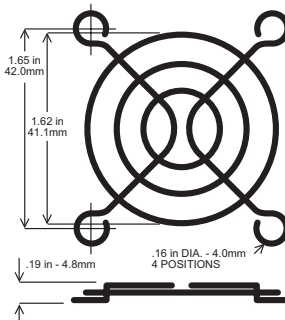
Wire Form Guard Specs

Standard wire form fan guards designed for use with fan sizes from 25mm through 254mm. Over 100 standard designs. Standard finishes in bright nickel chrome and black electro deposit.

Most guards meet safety agency requirements.

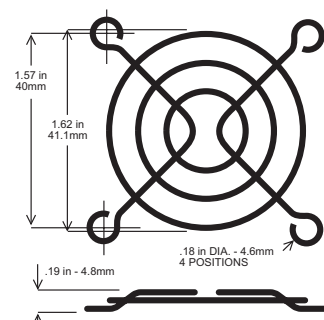
50mm (2.0")

MFG50-W1-LF



Ring Diameter: 1.6 mm
Rib Diameter: 1.6 mm

MFG50-W2-LF



Ring Diameter: 1.6 mm
Rib Diameter: 1.6 mm