

WIRE FORM FAN GUARDS INTERNATIONAL

CONFIGURATIONS

Jaro fan accessories are in use throughout the world. The international standards and safety agencies require demanding and specific application and design requirements. International fan accessories are designed and manufactured under standards that recognize the various environmental considerations, such as plating. International products are designed and manufactured to meet all specific application needs, up to a maximum diameter of 780mm. Jaro offers a no cost design and tooling program for qualified international customers.

¥ Europe

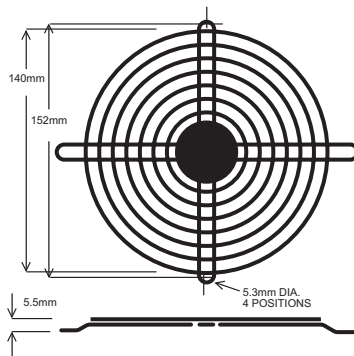
¥ Asia

¥ Mexico

¥ Central America

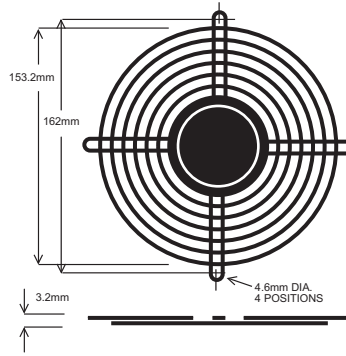
¥ South America

MFG160-W0-LF



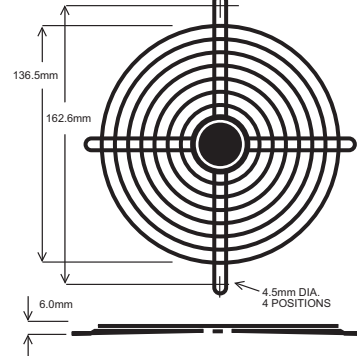
Ring Diameter: 1.8 mm
Rib Diameter: 1.8 mm

MFG162-W4-LF



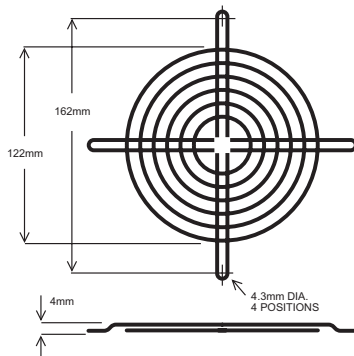
Ring Diameter: 1.6 mm
Rib Diameter: 1.4 mm

MFG162-W7-LF



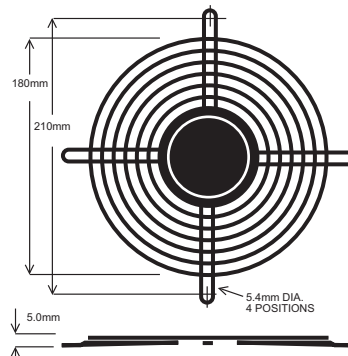
Ring Diameter: 1.8 mm
Rib Diameter: 1.8 mm

MFG162-W16-LF



Ring Diameter: 1.6 mm
Rib Diameter: 1.6 mm

MFG180-W1-LF



Ring Diameter: 1.6 mm
Rib Diameter: 1.6 mm

The guard sizes represented here are just a sampling of what we offer for international configurations. Please contact us for more sizes. If we don't have it, we can custom design a solution.