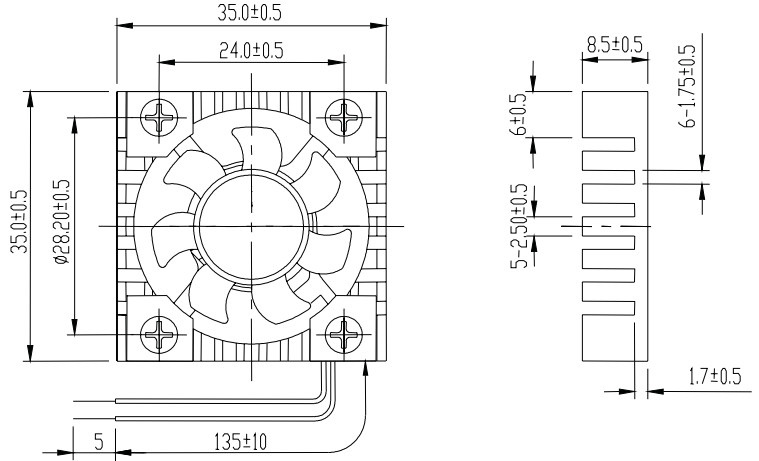


External Dimensions



Frame: Aluminum alloy
 Impeller: Plastic(UL:94V-0)
 Bearing: 1B1S,Hyro bearing
 Lead wire: UL1571AWG28
 VOLTAGE AVAILABLE: 5V,12V

Specifications(Nominal)

*:Noise is measured at the distance of one (1) meter from the axis of intake.

Bearing type: ○=Ball※=Sleeve○=1B1S●=Hydro bearing

Frame size (mm)	Model No.	Bearing System Type	Rated Voltage (VDC)	Rated Current (A)	Actual Current (A)	Rated Power (W)	Actual Power (W)	Rated Speed (rpm)	Maximum AirFlow (CMM)	Maximum AirFlow (CFM)	Maximum Pressure (InAq)	Maximum Pressure (mmAq)	*Noise Level (dB/A)	Weight (g)
35x35x08	AP3505LB-J70	○●	5	0.09	0.06	0.45	0.30	7500	0.071	2.50	0.082	2.05	20.0	6.0
	AP3505MB-J70	○●	5	0.12	0.11	0.60	0.55	9000	0.093	3.30	0.138	3.45	27.9	
	AP3505HB-J70	○●	5	0.18	0.11	0.90	0.55	10500	0.116	4.10	0.151	3.78	32.0	
	AP3512LB-J70	○●	12	0.06	0.05	0.72	0.60	7500	0.071	2.50	0.082	2.05	20.0	
	AP3512MB-J70	○●	12	0.10	0.05	0.52	0.60	9000	0.093	3.30	0.138	3.45	27.9	
	AP3512HB-J70	○●	12	0.11	0.08	1.32	0.96	10500	0.116	4.10	0.151	3.78	32.0	

Specifications subject to change without notice.

*Motor protective circuit and third lead wire functions

0	1	2	3	4	6	7	8	9	A	B
✓										

*Safety approvals

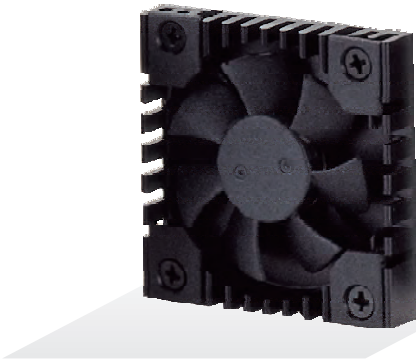
✓	✓		✓	✓



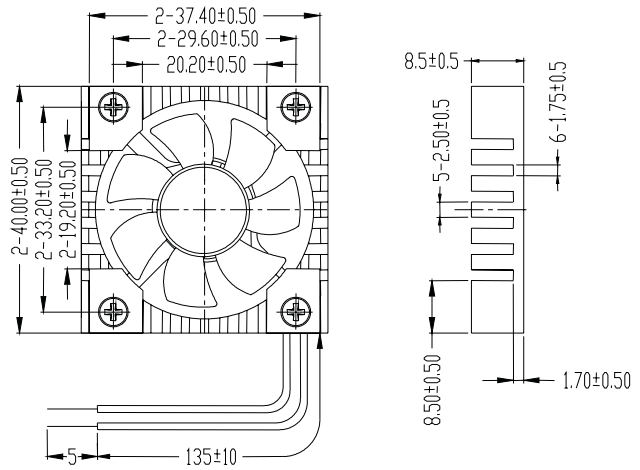
AP4008 SERIES



IC COOLERS



External Dimensions



Frame:Plastic(UL:94V-0)
 Impeller:Plastic(UL:94V-0)
 Bearing:1B1S, Hypro bearing
 Lead wire:UL1571AWG28
 VOLTAGE AVAILABLE:5V,12V

Specifications(Nominal)

*:Noise is measured at the distance of one (1) meter from the axis of intake.

Bearing type: ○=Ball※=Sleeve○=1B1S●=Hypro bearing

Frame size (mm)	Model No.	Bearing System Type	Rated Voltage (VDC)	Rated Current (A)	Actual Current (A)	Rated Power (W)	Actual Power (W)	Rated Speed (rpm)	Maximum AirFlow (CMM)	Maximum AirFlow (CFM)	Maximum Pressure (InAq)	Maximum Pressure (mmAq)	*Noise Level (dB/A)	Weight (g)
40x40x08	AP0405MX-J70	○●	5	0.14	0.10	0.70	0.50	7000	0.133	4.70	0.111	2.78	28.0	15.0
	AP0412MX-J70	○●	12	0.08	0.06	0.96	0.72	7000	0.133	4.70	0.111	2.78	28.0	

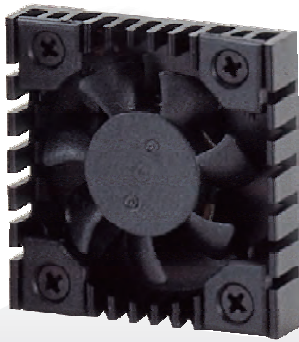
Specifications subject to change without notice.

*Motor protective circuit and third lead wire functions

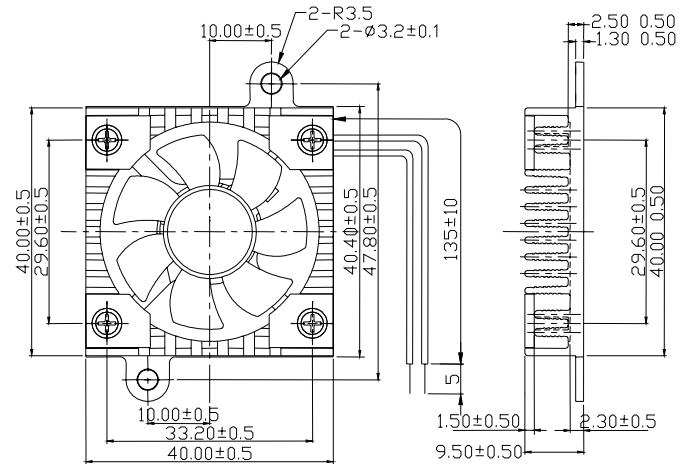
0	1	2	3	4	6	7	8	9	A	B
✓			✓							

*Safety approvals

				✓



External Dimensions



Frame: Plastic (UL:94V-0)
 Impeller: Plastic (UL:94V-0)
 Bearing: 1B1S, Hypro bearing
 Lead wire: UL1571AWG28
 VOLTAGE AVAILABLE: 5V, 12V

Specifications (Nominal)

*Noise is measured at the distance of one (1) meter from the axis of intake.

Bearing type: ○=Ball ※=Sleeve ○=1B1S ●=Hypro bearing

Frame size (mm)	Model No.	Bearing System Type	Rated Voltage (VDC)	Rated Current (A)	Actual Current (A)	Rated Power (W)	Actual Power (W)	Rated Speed (rpm)	Maximum AirFlow (CMM)	Maximum AirFlow (CFM)	Maximum Pressure (InAq)	Maximum Pressure (mmAq)	*Noise Level (dB/A)	Weight (g)
40x40x10	AP0405MX-G70	●	5	0.14	0.13	0.70	0.65	8000	0.133	4.70	0.111	2.78	28.0	19.2
	AP0412LX-G70	○●	12	0.07	0.05	0.84	0.60	6500	0.099	3.50	0.063	1.58	19.0	
	AP0412MX-G70	○●	12	0.08	0.06	0.96	0.72	8000	0.133	4.70	0.111	2.78	28.0	

Specifications subject to change without notice.

*Motor protective circuit and third lead wire functions

0	1	2	3	4	6	7	8	9	A	B
✓			✓							

*Safety approvals

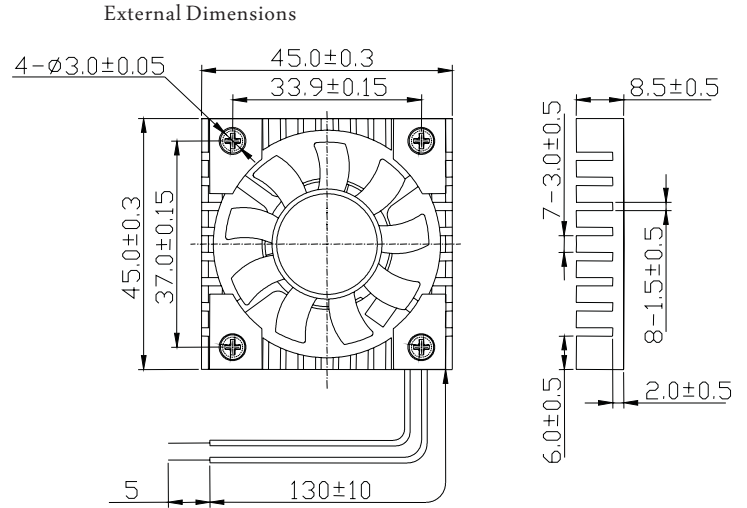
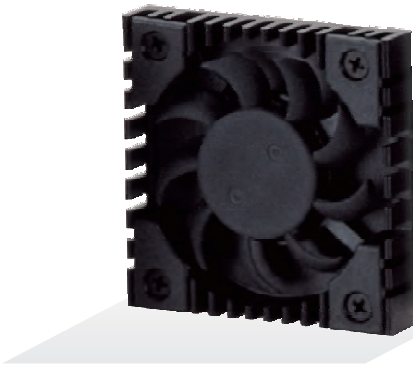
				✓



AP4508 SERIES



IC COOLERS



Frame: Aluminum alloy
 Impeller: Plastic (UL:94V-0)
 Bearing: 1B1S, Hypro bearing
 Lead wire: UL1571AWG28
 VOLTAGE AVAILABLE: 5V, 12V

Specifications(Nominal)

*:Noise is measured at the distance of one (1) meter from the axis of intake.

Bearing type: ○=Ball※=Sleeve○=1B1S●=Hypro bearing

Frame size (mm)	Model No.	Bearing System Type	Rated Voltage (VDC)	Rated Current (A)	Actual Current (A)	Rated Power (W)	Actual Power (W)	Rated Speed (rpm)	Maximum AirFlow (CMM)	Maximum AirFlow (CFM)	Maximum Pressure (InAq)	Maximum Pressure (mmAq)	*Noise Level (dB/A)	Weight (g)
45x45x08	AP4505LB-J90(S)	○●	5	0.07	0.04	0.35	0.20	4500	0.120	4.20	0.044	1.12	19.5	18.0
	AP4505MB-J90(S)	○●	5	0.09	0.07	0.45	0.35	5500	0.148	5.20	0.064	1.63	23.8	
	AP4505HB-J90(S)	○●	5	0.12	0.09	0.60	0.45	6200	0.171	6.00	0.090	2.29	30.0	
	AP4512LB-J90(S)	○●	12	0.06	0.04	0.72	0.48	4500	0.120	4.20	0.044	1.12	19.5	
	AP4512MB-J90(S)	○●	12	0.06	0.05	0.72	0.60	5500	0.148	5.20	0.064	1.63	23.8	
	AP4512HB-J90(S)	○●	12	0.08	0.05	0.96	0.60	6200	0.171	6.00	0.090	2.29	30.0	

Specifications subject to change without notice.

*Motor protective circuit and third lead wire functions

0	1	2	3	4	6	7	8	9	A	B
✓					✓					

*Safety approvals

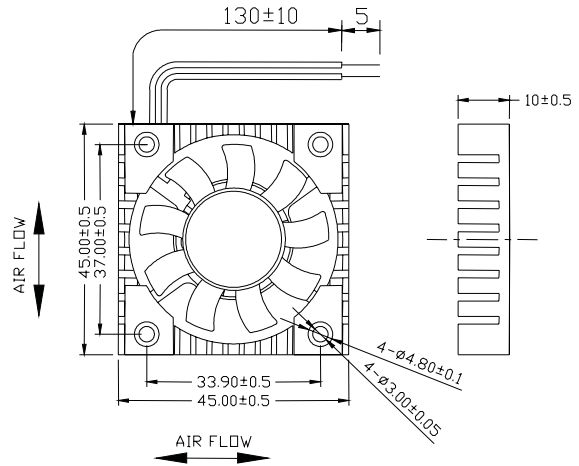
✓	✓			✓

IC COOLERS

AP4510 SERIES



External Dimensions



Frame: Aluminum alloy
 Impeller: Plastic(UL:94V-0)
 Bearing: 1B1S, Hypro bearing
 Lead wire: UL1571AWG28
 VOLTAGE AVAILABLE: 5V, 12V

Specifications(Nominal)

*:Noise is measured at the distance of one (1) meter from the axis of intake.

Bearing type: ●=Ball※=Sleeve○=1B1S●=Hypro bearing

Frame size (mm)	Model No.	Bearing System Type	Rated Voltage (VDC)	Rated Current (A)	Actual Current (A)	Rated Power (W)	Actual Power (W)	Rated Speed (rpm)	Maximum AirFlow (CMM)	Maximum AirFlow (CFM)	Maximum Pressure (InAq)	Maximum Pressure (mmAq)	*Noise Level (dB/A)	Weight (g)
45x45x10	AP4505LB-G90	●	5	0.05	0.05	0.25	0.25	4800	0.128	4.50	0.051	1.30	19.9	18.0
	AP4505MB-G90	●	5	0.09	0.08	0.45	0.40	5800	0.157	5.50	0.067	1.70	25.0	
	AP4505HB-G90	●	5	0.12	0.09	0.60	0.45	6200	0.171	6.00	0.090	2.29	30.0	
	AP4512LB-G90	●	12	0.06	0.04	0.72	0.48	4800	0.128	4.50	0.051	1.30	19.9	
	AP4512MB-G90	●	12	0.06	0.05	0.72	0.60	5800	0.157	5.50	0.067	1.70	25.0	
	AP4512HB-G90	●	12	0.08	0.05	0.96	0.60	6200	0.171	6.00	0.090	2.29	30.0	

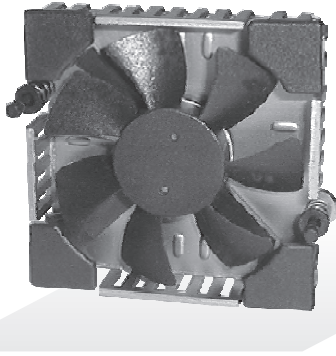
Specifications subject to change without notice.

*Motor protective circuit and third lead wire functions

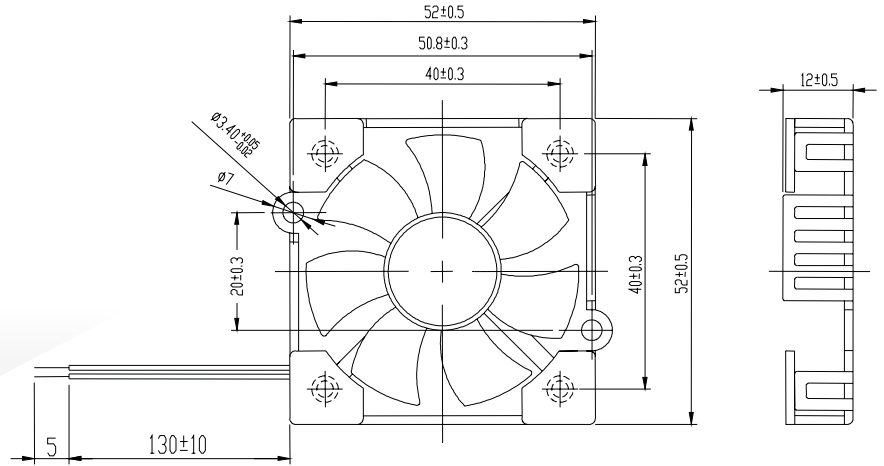
0	1	2	3	4	6	7	8	9	A	B
✓					✓					

*Safety approvals

✓	✓			✓



External Dimensions



Frame: Aluminum alloy
 Impeller: Plastic (UL:94V-0)
 Bearing: Hydro bearing
 Lead wire: UL1571AWG28
 VOLTAGE AVAILABLE: 12V

Specifications (Nominal)

*Noise is measured at the distance of one (1) meter from the axis of intake.

Bearing type: ◎=Ball ※=Sleeve ○=1B1S ●=Hydro bearing

Frame size (mm)	Model No.	Bearing System Type	Rated Voltage (VDC)	Rated Current (A)	Actual Current (A)	Rated Power (W)	Actual Power (W)	Rated Speed (rpm)	Maximum AirFlow (CMM)	Maximum AirFlow (CFM)	Maximum Pressure (InAq)	Maximum Pressure (mmAq)	*Noise Level (dB/A)	Weight (g)
52x52x12	AP0512MX-E70(8)	◎ ○ ●	12	0.07	0.06	0.84	0.72	4300	0.297	10.50	0.100	2.50	24.0	24.5

Specifications subject to change without notice.

*Motor protective circuit and third lead wire functions

0	1	2	3	4	6	7	8	9	A	B
✓					✓					

*Safety approvals

✓	✓		✓	✓