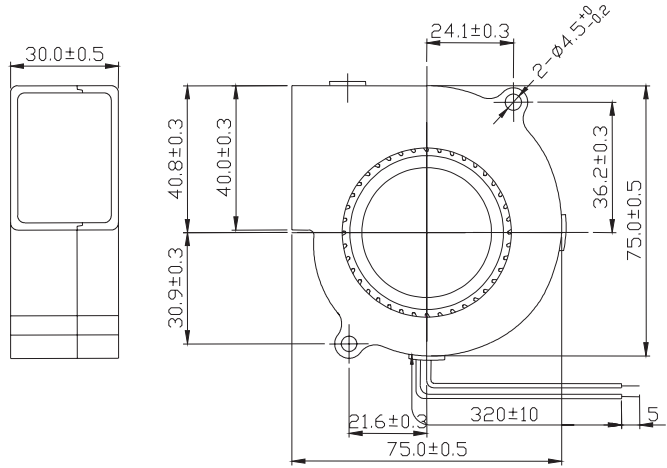
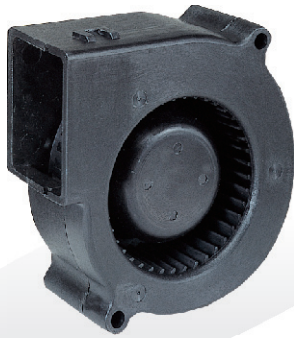




AD7530 SERIES

DC BLOWERS

External Dimensions



Frame: Plastic (UL:94V-0)
 Impeller: Plastic (UL:94V-0)
 Lead wire: UL1007AWG24

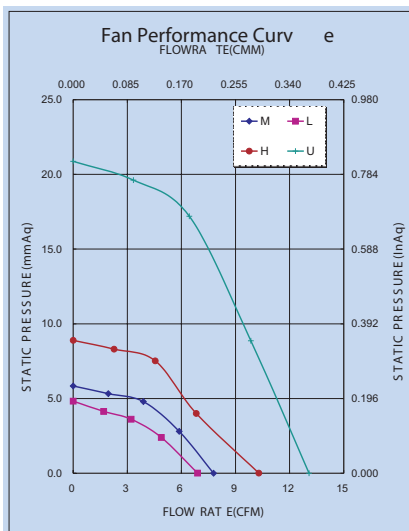
Specifications (Nominal)

*Noise is measured at the distance of one (1) meter from the axis of intake.

Bearing type: ◎=Ball ※=Sleeve ○=1B1S ●=Hypro bearing

Frame size (mm)	Model No.	Bearing System Type	Rated Voltage (VDC)	Current (A)	Power (W)	Rated Speed (rpm)	Maximum AirFlow (CMM)	Maximum AirFlow (CFM)	Maximum Pressure (InAq)	Maximum Pressure (mmAq)	*Noise Level (dB/A)	Weight (g)
75x75x30	AD7512LB	◎ ※ ●	12	0.08	0.96	2200	0.195	6.893	0.190	4.826	29.0	80.0
	AD7512MB	◎ ※ ●	12	0.11	1.32	2600	0.220	7.777	0.228	5.791	34.9	
	AD7512HB	◎ ※ ●	12	0.22	2.64	3000	0.291	10.286	0.350	8.890	38.5	
	AD7512UB	◎ ※ ●	12	0.50	6.00	4200	0.370	13.079	0.822	20.878	44.7	
	AD7524LB	◎ ※ ●	24	0.07	1.68	2200	0.195	6.893	0.190	4.826	29.0	
	AD7524MB	◎ ※ ●	24	0.10	2.40	2600	0.220	7.777	0.228	5.791	34.9	
	AD7524HB	◎ ※ ●	24	0.14	3.36	3000	0.291	10.286	0.350	8.890	38.5	
	AD7524UB	◎ ※ ●	24	0.25	6.00	4200	0.370	13.079	0.822	20.878	44.7	

Specifications subject to change without notice.



*Motor protective circuit and third lead wire functions

0	1	2	3	4	6	7	8	9	A	B
	✓	✓	✓							

*Safety approvals

✓	✓			✓