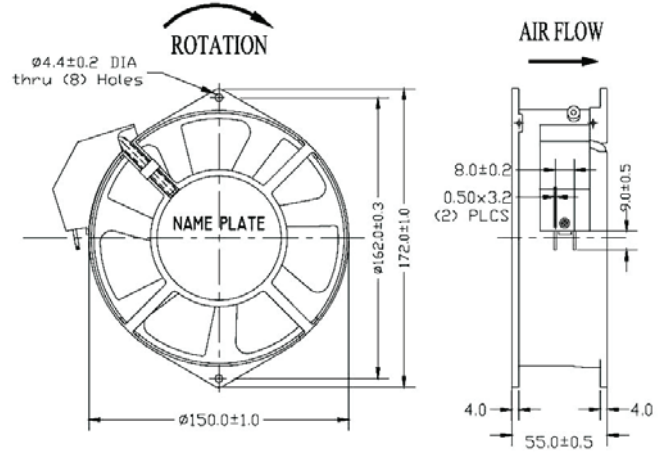


External Dimensions



Frame: Aluminum Alloy
 Impeller: Plastic (UL:94V-0)
 Motor Structure: Shaded Pole Induction Motor.
 Motor Protection: Impedance Protect.
 Lead wire: UL 1015 AWG22
 OPERATING TEMP*: $-10^{\circ}\text{C} \sim 70^{\circ}\text{C}$
 *: $-10^{\circ}\text{C} \sim 60^{\circ}\text{C}$ for fans with sleeve/ball combination bearings.

Specifications(Nominal)

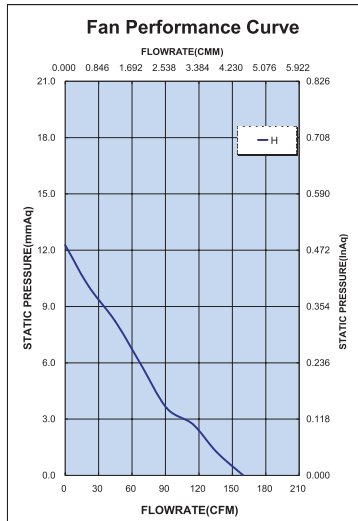
*: Noise is measured at the distance of one (1) meter from the axis of intake.

Bearing type: \odot =Ball \otimes =Sleeve \circ =1B1S \bullet =Hypro bearing

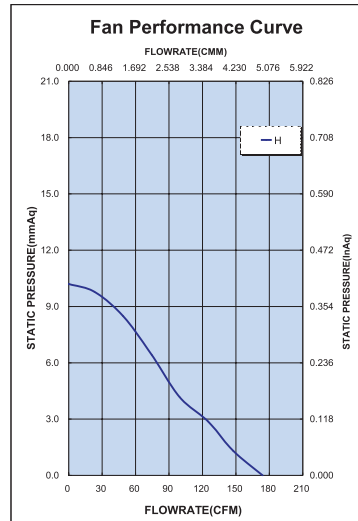
Frame size (mm)	Model No.	Bearing System Type	Volt. (VAC)	Freq. (Hz)	Current (A)	Power (W)	Rated Speed (rpm)	Maximum AirFlow (CMM)	Maximum AirFlow (CFM)	Maximum Pressure (InAq)	Maximum Pressure (mmAq)	*Noise Level (dB/A)	Weight (g)
162x150x55	AX15552HB	\odot	230	50/60	0.25/0.22	36.00/33.00	2700/3000	4.528/4.924	160.0/174.0	0.483/0.402	12.268/10.210	52.0/56.0	890

Specifications subject to change without notice.

50Hz



60Hz



*Safety approvals

✓	✓		✓	✓