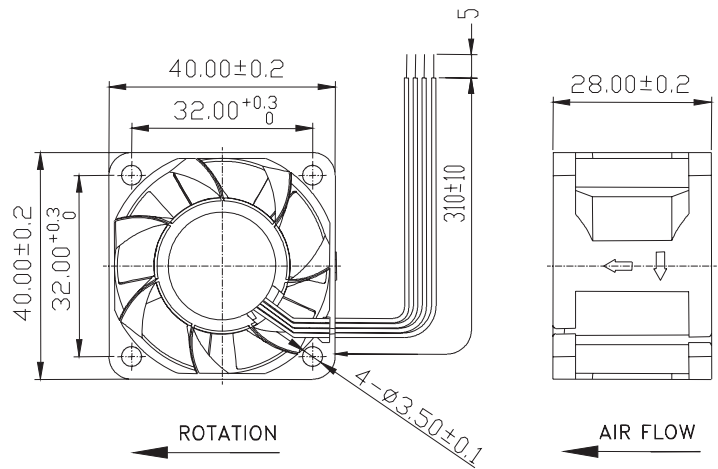




External Dimensions



Frame:Plastic(UL:94V-0)
 Impeller:Plastic(UL:94V-0)
 Lead wire:UL1061AWG26

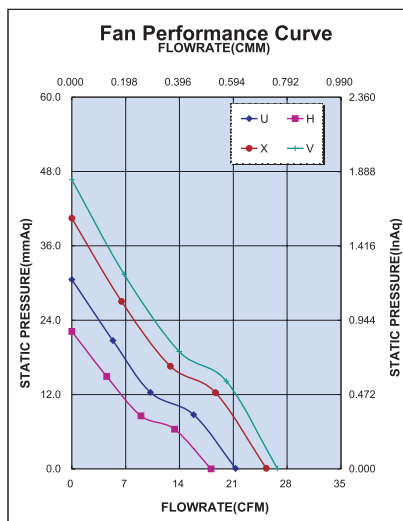
Specifications(Nominal)

*:Noise is measured at the distance of one (1) meter from the axis of intake.

Bearing type: ⊙=Ball ⊛=Sleeve ○=1B1S ●=Hypro bearing

Frame size (mm)	Model No.	Bearing System Type	Rated Voltage (VDC)	Current (A)	Power (W)	Rated Speed (rpm)	Maximum AirFlow (CMM)	Maximum AirFlow (CFM)	Maximum Pressure (InAq)	Maximum Pressure (mmAq)	*Noise Level (dB/A)	Weight (g)
40x40x28	AD0412HB-B5BDS(HFP)	⊙	12	0.30	3.55	11000	0.512	18.10	0.870	22.45	47.5	42
	AD0412UB-B5BDS(HFP)	⊙	12	0.40	7.44	13000	0.623	22.00	1.200	30.48	51.5	
	AD0412XB-B5BDS(HFP)	⊙	12	0.59	7.10	15000	0.722	25.50	1.600	40.64	54.5	
	AD0412VB-B5BDS(HFP)	⊙	12	0.70	8.40	16000	0.764	27.00	1.850	46.99	56.4	

Specifications subject to change without notice.



*Motor protective circuit and third lead wire functions

0	1	2	3	4	6	7	8	9	A	B
	✓	✓	✓						✓	✓

*Safety approvals

✓	✓		✓	✓