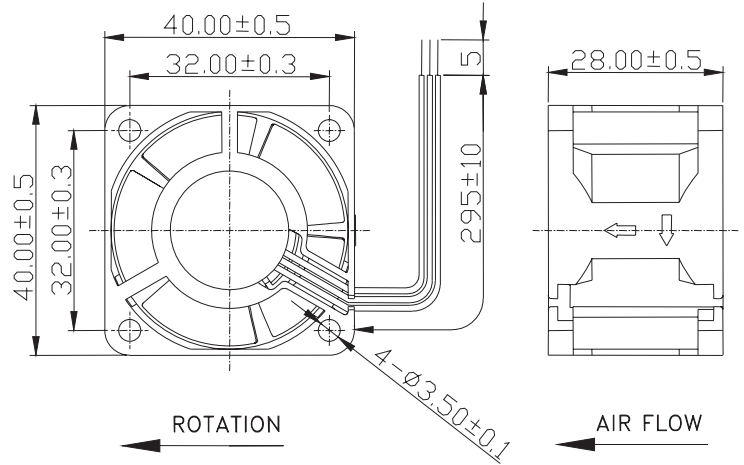




### External Dimensions



Frame: Plastic(UL:94V-0)  
 Impeller: Plastic(UL:94V-0)  
 Lead wire: UL1007AWG26

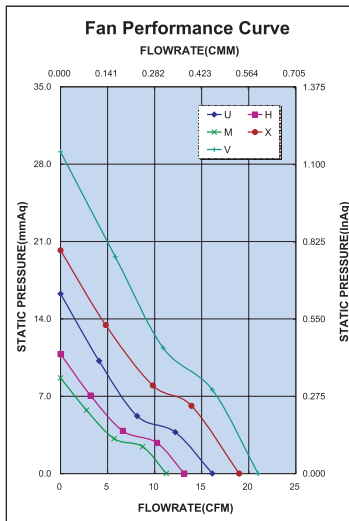
### Specifications(Nominal)

\*:Noise is measured at the distance of one (1) meter from the axis of intake.

Bearing type: ⊙=Ball ⊛=Sleeve ○=1B1S ●=Hypro bearing

Frame size (mm)	Model No.	Bearing System Type	Rated Voltage (VDC)	Current (A)	Power (W)	Rated Speed (rpm)	Maximum AirFlow (CMM)	Maximum AirFlow (CFM)	Maximum Pressure (InAq)	Maximum Pressure (mmAq)	*Noise Level (dB/A)	Weight (g)
40x40x28	AD0412MB-B53GP(P)	⊙	12	0.14	1.68	8000	0.311	11.00	0.335	8.50	36.0	38
	AD0412HB-B53GP(P)	⊙	12	0.15	1.80	9000	0.368	13.00	0.413	10.50	41.0	
	AD0412UB-B53GP(P)	⊙	12	0.20	2.40	11000	0.453	16.00	0.630	16.00	45.0	
	AD0412XB-B53GP(P)	⊙	12	0.45	5.40	13000	0.538	19.00	0.866	20.00	49.0	
	AD0412VB-B53GP(P)	⊙	12	0.50	6.00	15000	0.594	21.00	1.142	29.00	53.0	

Specifications subject to change without notice.



\*Motor protective circuit and third lead wire functions

0	1	2	3	4	6	7	8	9	A	B
	✓	✓	✓						✓	✓

\*Safety approvals

✓	✓		✓	✓