

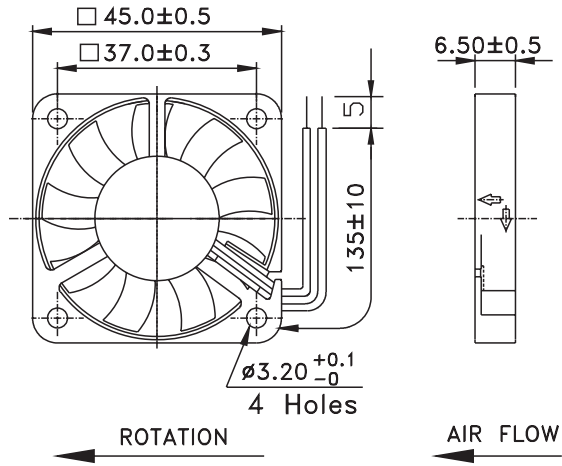


AD4506 SERIES

DC FANS



External Dimensions



Frame:Plastic(UL:94V-0)
 Impeller:Plastic(UL:94V-0)
 Lead wire:UL1571AWG28

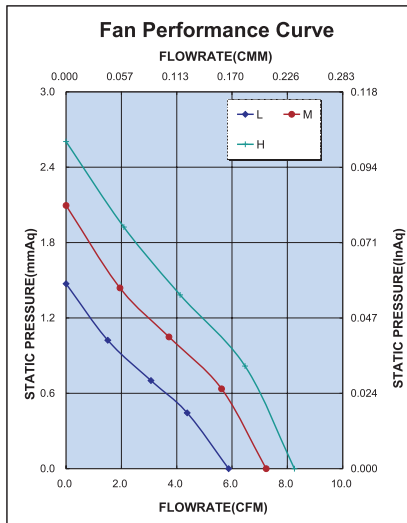
Specifications(Nominal)

*:Noise is measured at the distance of one (1) meter from the axis of intake.

Bearing type: ○=Ball ※=Sleeve ○=1B1S ●=Hypro bearing

Frame size (mm)	Model No.	Bearing System Type	Rated Voltage (VDC)	Current (A)	Power (W)	Rated Speed (rpm)	Maximum AirFlow (CMM)	Maximum AirFlow (CFM)	Maximum Pressure (InAq)	Maximum Pressure (mmAq)	*Noise Level (dB/A)	Weight (g)
45x45x06	AD4505LX-K90(S)	○ ●	5	0.05	0.25	4500	0.164	5.800	0.056	1.422	23.0	11.0
	AD4505MX-K90(S)	○ ●	5	0.07	0.35	5500	0.203	7.200	0.080	2.032	27.4	
	AD4505HX-K90(S)	○ ●	5	0.10	0.50	6200	0.233	8.250	0.100	2.540	32.6	
	AD4512LX-K90(S)	○ ●	12	0.04	0.48	4500	0.164	5.800	0.056	1.422	23.0	
	AD4512MX-K90(S)	○ ●	12	0.05	0.60	5500	0.203	7.200	0.080	2.032	27.4	
	AD4512HX-K90(S)	○ ●	12	0.06	0.72	6200	0.233	8.250	0.100	2.540	32.6	

Specifications subject to change without notice.



*Motor protective circuit and third lead wire functions

0	1	2	3	4	6	7	8	9	A	B
✓					✓					

*Safety approvals

				✓