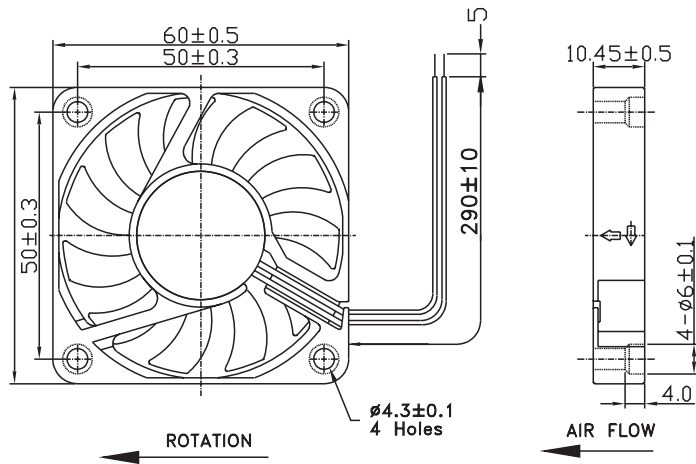




External Dimensions



Frame:Plastic(UL:94V-0)  
 Impeller:Plastic(UL:94V-0)  
 Lead wire:UL 1007AWG26

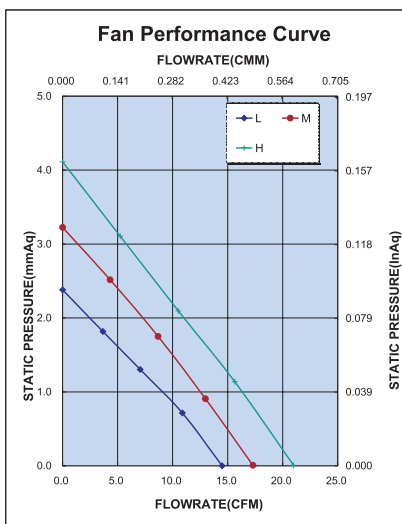
Specifications(Nominal)

\*:Noise is measured at the distance of one (1) meter from the axis of intake.

Bearing type: ⊙=Ball ※=Sleeve ○=1B1S ●=Hypro bearing

Frame size (mm)	Model No.	Bearing System Type	Rated Voltage (VDC)	Current (A)	Power (W)	Rated Speed (rpm)	Maximum AirFlow (CMM)	Maximum AirFlow (CFM)	Maximum Pressure (InAq)	Maximum Pressure (mmAq)	*Noise Level (dB/A)	Weight (g)
60x60x10	AD0605LB-GA0(GL)	⊙ ※ ○ ●	5	0.26	1.30	3400	0.410	14.500	0.094	2.387	26.0	30.0
	AD0605MB-GA0(GL)	⊙ ※ ○ ●	5	0.33	1.65	4000	0.489	17.300	0.127	3.225	31.7	
	AD0612LB-GA0(GL)	⊙ ※ ○ ●	12	0.10	1.20	3400	0.410	14.500	0.094	2.387	26.0	
	AD0612MB-GA0(GL)	⊙ ※ ○ ●	12	0.16	1.92	4000	0.489	17.300	0.127	3.225	31.7	
	AD0612HB-GA0(GL)	⊙ ※ ○ ●	12	0.25	3.00	4600	0.594	21.000	0.165	4.191	35.8	

Specifications subject to change without notice.



\*Motor protective circuit and third lead wire functions

0	1	2	3	4	6	7	8	9	A	B
✓					✓					

\*Safety approvals

✓	✓		✓	✓