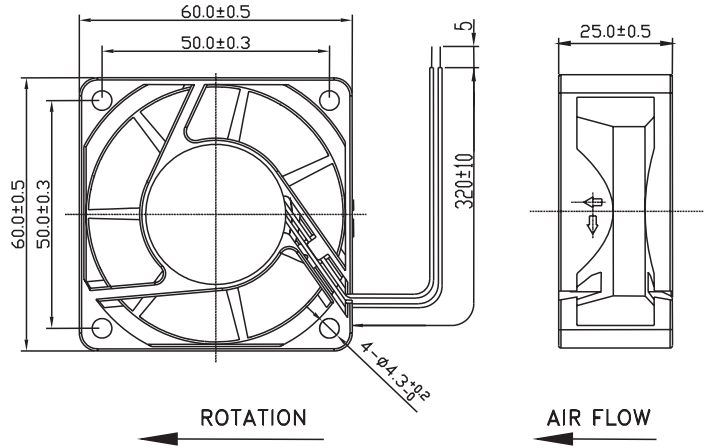




External Dimensions



Frame:Plastic(UL:94V-0)
 Impeller:Plastic(UL:94V-0)
 Lead wire:UL1007AWG24

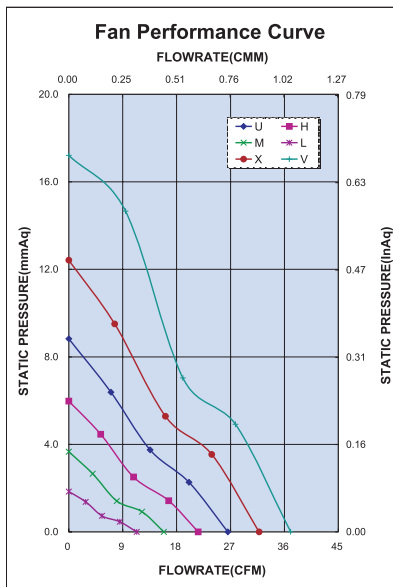
Specifications(Nominal)

*:Noise is measured at the distance of one (1)meter from the axis of intake.

Bearing type: ⊙=Ball ⊛=Sleeve ○=1B1S ●=Hypro bearing

Frame size (mm)	Model No.	Bearing System Type	Rated Voltage (VDC)	Current (A)	Power (W)	Rated Speed (rpm)	Maximum AirFlow (CMM)	Maximum AirFlow (CFM)	Maximum Pressure (InAq)	Maximum Pressure (mmAq)	*Noise Level (dB/A)	Weight (g)
60x60x25	AD0612LB-A71GP(P)	⊙	12	0.05	0.60	2500	0.321	11.34	0.072	1.83	20.0	77.0
	AD0612MB-A71GP(P)	⊙	12	0.07	0.84	3500	0.441	15.60	0.144	3.66	29.7	
	AD0612HB-A71GP(P)	⊙	12	0.11	1.32	4500	0.611	21.59	0.235	5.97	35.3	
	AD0612UB-A71GP(P)	⊙	12	0.21	2.52	5500	0.752	26.56	0.347	8.81	40.4	
	AD0612XB-A71GP(P)	⊙	12	0.28	3.60	6500	0.899	31.77	0.489	12.21	44.3	
	AD0612VB-A71GP(P)	⊙	12	0.45	4.32	7500	1.056	37.31	0.688	17.48	53.3	

Specifications subject to change without notice.



*Motor protective circuit and third lead wire functions

0	1	2	3	4	6	7	8	9	A	B
	✓	✓	✓						✓	✓

*Safety approvals

✓	✓		✓	✓