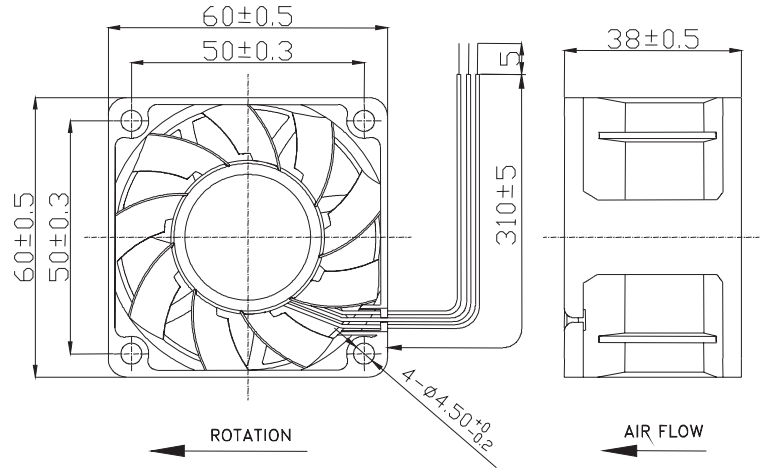




External Dimensions



Frame: Plastic(UL:94V-0)
 Impeller: Plastic(UL:94V-0)
 Lead wire: UL1007AWG24

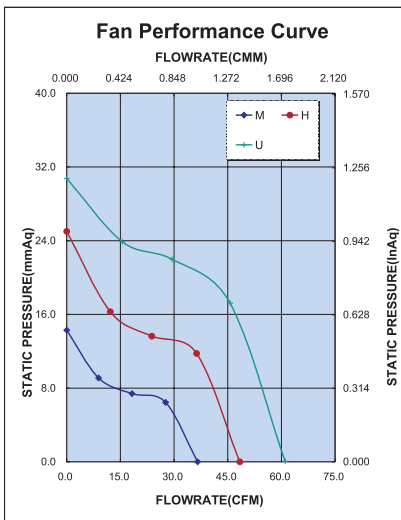
Specifications(Nominal)

*:Noise is measured at the distance of one (1)meter from the axis of intake.

Bearing type: ◎=Ball ※=Sleeve ○=1B1S ●=Hypro bearing

Frame size (mm)	Model No.	Bearing System Type	Rated Voltage (VDC)	Current (A)	Power (W)	Rated Speed (rpm)	Maximum AirFlow (CMM)	Maximum AirFlow (CFM)	Maximum Pressure (InAq)	Maximum Pressure (mmAq)	*Noise Level (dB/A)	Weight (g)
60x60x38	AD0612MB-F73DS	◎	12	0.28	3.36	6000	1.019	36.00	0.560	14.29	50.5	109
	AD0612HB-F73DS	◎	12	0.64	7.68	8000	1.358	48.00	0.980	25.00	58.0	
	AD0612UB-F73DS	◎	12	1.40	16.80	10000	1.726	61.00	1.560	30.73	63.6	

Specifications subject to change without notice.



*Motor protective circuit and third lead wire functions

0	1	2	3	4	6	7	8	9	A	B
	✓	✓	✓					✓		✓

*Safety approvals

✓	✓		✓	✓