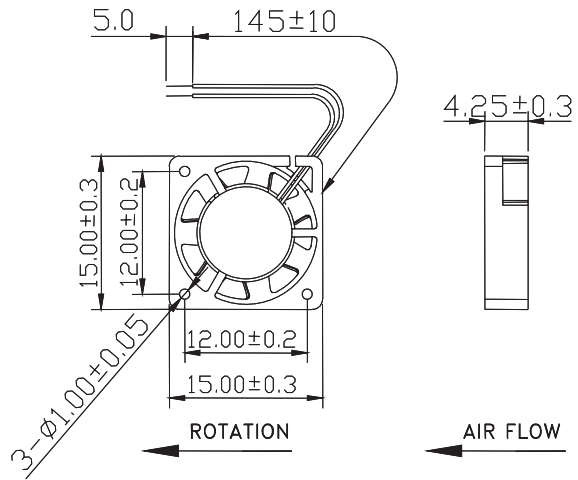




External Dimensions



Frame:Die-casting(UL:AL)
 Impeller:Plastic(UL:94V-0)
 Lead wire:UL1571AWG30

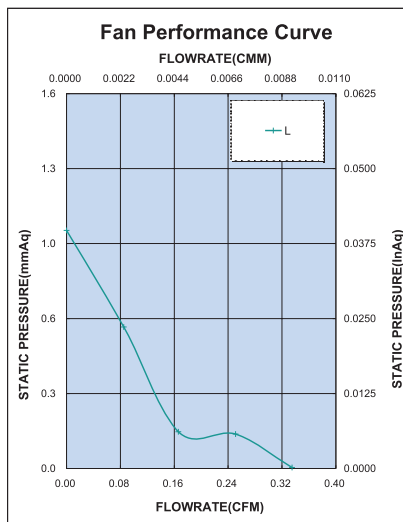
Specifications(Nominal)

*Noise is measured at the distance of one (1) meter from the axis of intake.

Bearing type: ⊙=Ball ※=Sleeve ○=1B1S ●=Hypro bearing

Frame size (mm)	Model No.	Bearing System Type	Rated Voltage (VDC)	Current (A)	Power (W)	Rated Speed (rpm)	Maximum AirFlow (CMM) (CFM)	Maximum Pressure (InAq) (mmAq)	*Noise Level (dB/A)	Weight (g)
15x15x04	AD1502LX-471(XD)	●	2.5	0.07	0.193	16000	0.009 0.330	0.040 1.016	15.0	1.9

Specifications subject to change without notice.



*Motor protective circuit and third lead wire functions

0	1	2	3	4	6	7	8	9	A	B
	✓		✓							

*Safety approvals

				✓