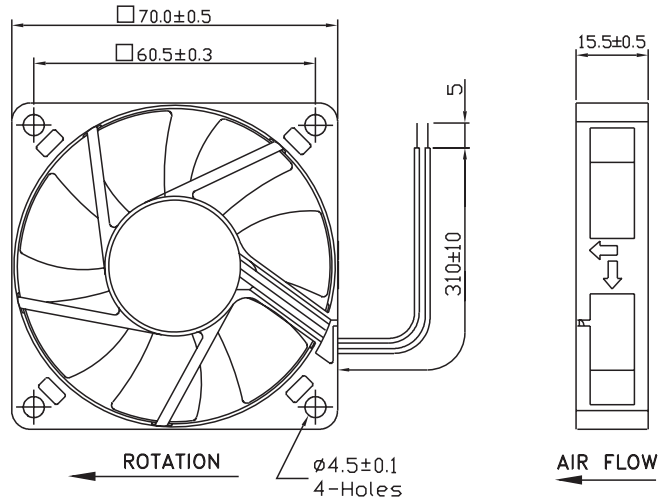




External Dimensions



Frame:Plastic(UL:94V-0)  
 Impeller:Plastic(UL:94V-0)  
 Lead wire:UL1007AWG24

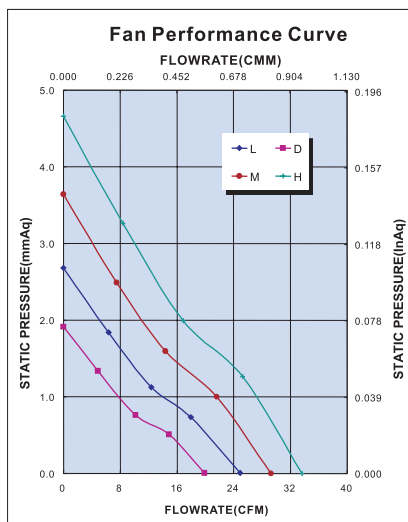
Specifications(Nominal)

\*:Noise is measured at the distance of one (1)meter from the axis of intake.

Bearing type: ⊙=Ball ※=Sleeve ○=1B1S ●=Hypro bearing

Frame size (mm)	Model No.	Bearing System Type	Rated Voltage (VDC)	Current (A)	Power (W)	Rated Speed (rpm)	Maximum AirFlow (CMM)	Maximum AirFlow (CFM)	Maximum Pressure (InAq)	Maximum Pressure (mmAq)	*Noise Level (dB/A)	Weight (g)
70x70x15	AD0712DB-D70(T)	⊙ ※ ○ ●	12	0.07	0.84	2500	0.561	19.90	0.075	1.91	26.3	54.0
	AD0712LB-D70(T)	⊙ ※ ○ ●	12	0.11	1.32	3000	0.701	24.90	0.106	2.68	30.1	
	AD0712MB-D70(T)	⊙ ※ ○ ●	12	0.15	1.80	3500	0.823	29.23	0.143	3.64	34.5	
	AD0712HB-D70(T)	⊙ ※ ○ ●	12	0.23	2.76	4000	0.948	33.65	0.186	4.66	39.4	

Specifications subject to change without notice.



\*Motor protective circuit and third lead wire functions

0	1	2	3	4	6	7	8	9	A	B
✓					✓					

\*Safety approvals

✓	✓		✓	✓