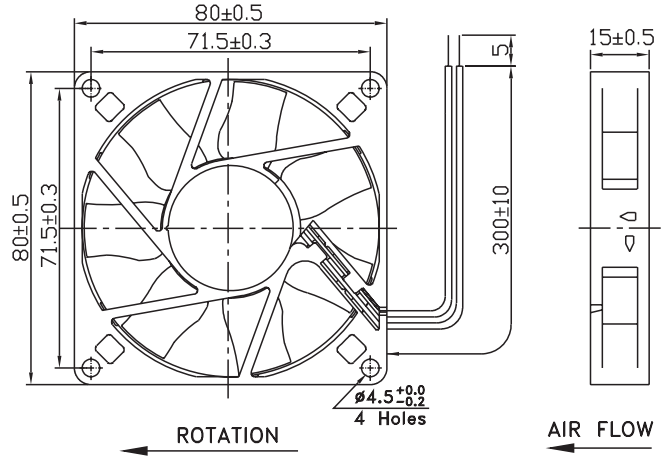




External Dimensions



Frame:Plastic(UL:94V-0)
 Impeller:Plastic(UL:94V-0)
 Lead wire:UL1007AWG24

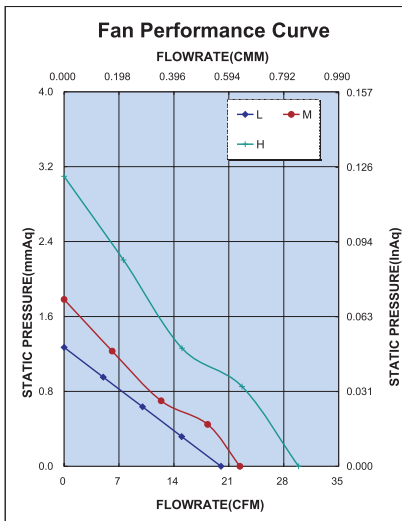
Specifications(Nominal)

*:Noise is measured at the distance of one (1) meter from the axis of intake.

Bearing type: ◎=Ball ※=Sleeve ○=1B1S ●=Hypro bearing

Frame size (mm)	Model No.	Bearing System Type	Rated Voltage (VDC)	Current (A)	Power (W)	Rated Speed (rpm)	Maximum AirFlow (CMM)	Maximum AirFlow (CFM)	Maximum Pressure (InAq)	Maximum Pressure (mmAq)	*Noise Level (dB/A)	Weight (g)
80x80x15	AD0812LB-D70(T)	◎ ※ ●	12	0.06	0.72	2000	0.518	18.335	0.052	1.320	18.8	62.0
	AD0812MB-D70(T)	◎ ※ ●	12	0.08	0.96	2440	0.617	21.805	0.078	1.981	24.9	
	AD0812HB-D70(T)	◎ ※ ●	12	0.14	1.68	3200	0.841	29.722	0.122	3.098	34.4	
	AD0824MB-D70(T)	◎ ※ ●	24	0.04	0.96	2440	0.617	21.805	0.078	1.981	24.9	

Specifications subject to change without notice.



*Motor protective circuit and third lead wire functions

0	1	2	3	4	6	7	8	9	A	B
✓					✓					

*Safety approvals

✓	✓		✓	✓