

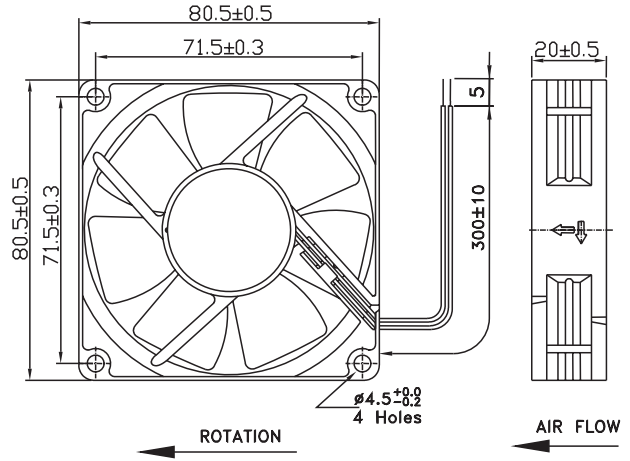


AD8020 SERIES

DC FANS



External Dimensions



Frame: Plastic(UL:94V-0)
 Impeller: Plastic(UL:94V-0)
 Lead wire: UL1007AWG24

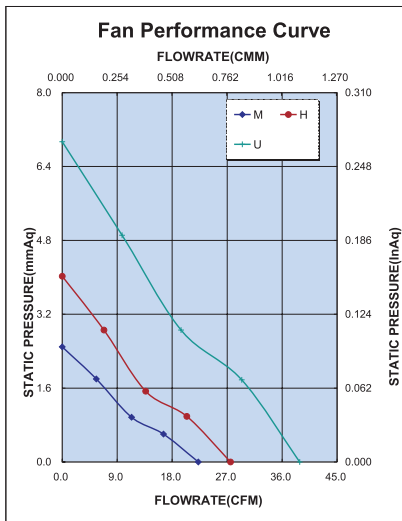
Specifications(Nominal)

*:Noise is measured at the distance of one (1) meter from the axis of intake.

Bearing type: ⊙=Ball ⊛=Sleeve ○=1B1S ●=Hypro bearing

Frame size (mm)	Model No.	Bearing System Type	Rated Voltage (VDC)	Current (A)	Power (W)	Rated Speed (rpm)	Maximum AirFlow (CMM)	Maximum AirFlow (CFM)	Maximum Pressure (InAq)	Maximum Pressure (mmAq)	*Noise Level (dB/A)	Weight (g)
80x80x20	AD0805MB-C71(N)	⊙ ⊛ ●	5	0.17	0.85	2440	0.630	22.268	0.098	2.494	28.1	68.0
	AD0805HB-C71(N)	⊙ ⊛ ●	5	0.24	1.20	3000	0.780	27.552	0.158	4.022	34.0	
	AD0812MB-C71(N)	⊙ ⊛ ●	12	0.07	0.84	2440	0.630	22.268	0.098	2.494	28.1	
	AD0812HB-C71(N)	⊙ ⊛ ●	12	0.13	1.56	3000	0.780	27.552	0.158	4.022	34.0	
	AD0812UB-C71(N)	⊙ ⊛ ●	12	0.25	3.00	4200	1.100	38.886	0.273	6.934	43.5	
	AD0824HB-C71(N)	⊙ ⊛ ●	24	0.07	1.68	3000	0.780	27.552	0.158	4.022	34.0	

Specifications subject to change without notice.



*Motor protective circuit and third lead wire functions

0	1	2	3	4	6	7	8	9	A	B
	✓	✓	✓							

*Safety approvals

✓	✓	✓	✓	✓