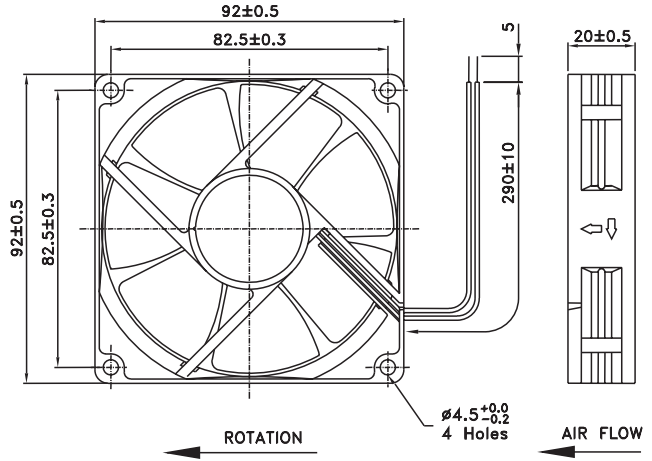




External Dimensions



Frame:Plastic(UL:94V-0)  
 Impeller:Plastic(UL:94V-0)  
 Lead wire:UL1007AWG24

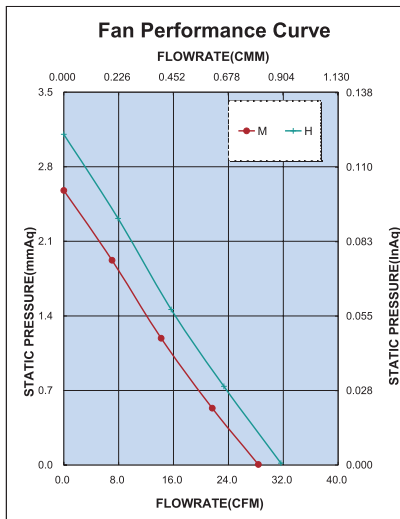
Specifications(Nominal)

\*:Noise is measured at the distance of one (1) meter from the axis of intake.

Bearing type: ⊙=Ball ※=Sleeve ○=1B1S ●=Hypro bearing

Frame size (mm)	Model No.	Bearing System Type	Rated Voltage (VDC)	Current (A)	Power (W)	Rated Speed (rpm)	Maximum AirFlow (CMM)	Maximum AirFlow (CFM)	Maximum Pressure (InAq)	Maximum Pressure (mmAq)	*Noise Level (dB/A)	Weight (g)
92x92x20	AD0912MB-C71	⊙ ※ ●	12	0.08	0.96	2430	0.803	28.362	0.101	2.578	34.0	81.0
	AD0912HB-C71	⊙ ※ ●	12	0.11	1.32	2700	0.896	31.657	0.122	3.105	36.7	
	AD0924MB-C71	⊙ ※ ●	24	0.07	1.68	2430	0.803	28.362	0.101	2.578	34.0	
	AD0924HB-C71	⊙ ※ ●	24	0.09	2.16	2700	0.896	31.657	0.122	3.105	36.7	

Specifications subject to change without notice.



\*Motor protective circuit and third lead wire functions

0	1	2	3	4	6	7	8	9	A	B
	✓	✓	✓							

\*Safety approvals

✓	✓	✓	✓	✓