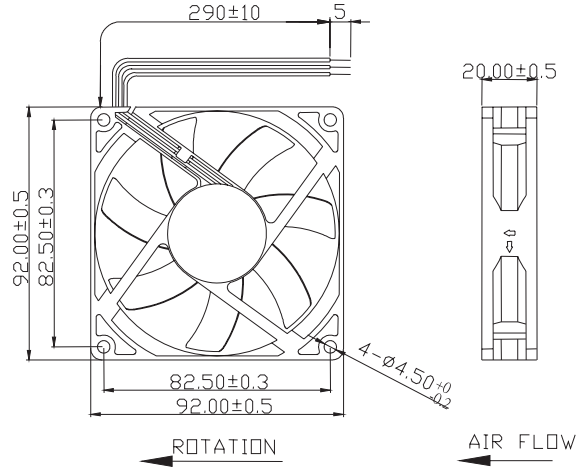




External Dimensions



Frame:Plastic(UL:94V-0)  
 Impeller:Plastic(UL:94V-0)  
 Lead wire:UL 1007AWG24

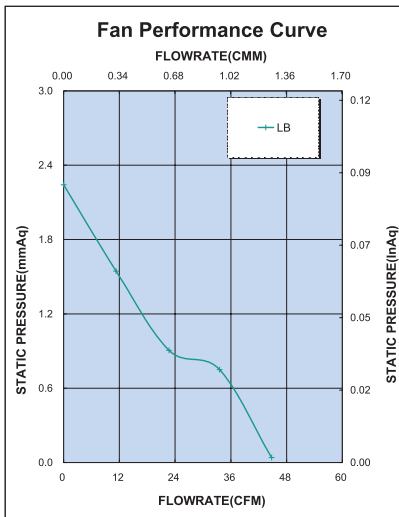
Specifications(Nominal)

\*:Noise is measured at the distance of one (1) meter from the axis of intake.

Bearing type: ◎=Ball ※=Sleeve ○=1B1S ●=Hypro bearing

Frame size (mm)	Model No.	Bearing System Type	Rated Voltage (VDC)	Current (A)	Power (W)	Rated Speed (rpm)	Maximum AirFlow (CMM) (CFM)	Maximum Pressure (InAq) (mmAq)	*Noise Level (dB/A)	Weight (g)
92x92x20	AD0912LB-C73GP	◎	12	0.08	0.96	2000	1.211 42.80	0.079 2.00	28.5	85

Specifications subject to change without notice.



\*Motor protective circuit and third lead wire functions

0	1	2	3	4	6	7	8	9	A	B
	✓	✓	✓							

\*Safety approvals

✓	✓		✓	✓