

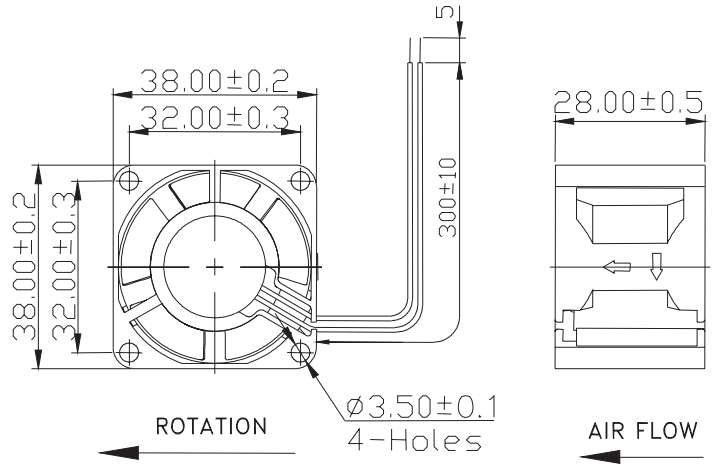


AD3828GP SERIES

DC FANS



External Dimensions



Frame:Plastic(UL:94V-0)
 Impeller:Plastic(UL:94V-0)
 Lead wire:UL1061AWG26

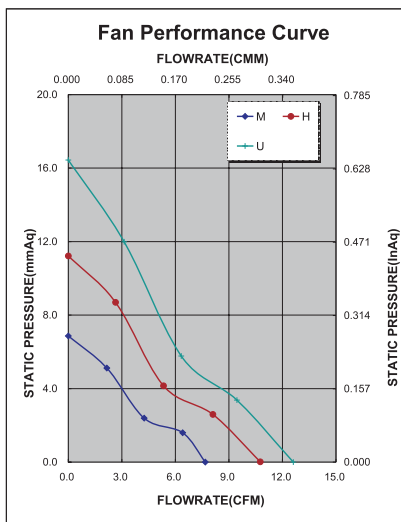
Specifications(Nominal)

*:Noise is measured at the distance of one (1)meter from the axis of intake.

Bearing type: ◎=Ball ※=Sleeve ○=1B1S ●=Hypro bearing

Frame size (mm)	Model No.	Bearing System Type	Rated Voltage (VDC)	Current (A)	Power (W)	Rated Speed (rpm)	Maximum AirFlow (CMM) (CFM)		Maximum Pressure (InAq) (mmAq)		*Noise Level (dB/A)	Weight (g)
38x38x28	AD3812MB-B51GP(TP)	◎	12	0.11	1.32	7000	0.212	7.50	0.264	6.70	28.5	38
	AD3812HB-B51GP(TP)	◎	12	0.22	2.64	9000	0.283	10.00	0.440	11.10	36.5	
	AD3812UB-B51GP(TP)	◎	12	0.26	3.12	11000	0.351	12.40	0.660	16.70	41.0	

Specifications subject to change without notice.



*Motor protective circuit and third lead wire functions

0	1	2	3	4	6	7	8	9	A	B
	✓	✓	✓							

*Safety approvals

UL	cUL	SP	SAFETY PROPERTY TYPE APPROVED	CE
✓	✓		✓	✓