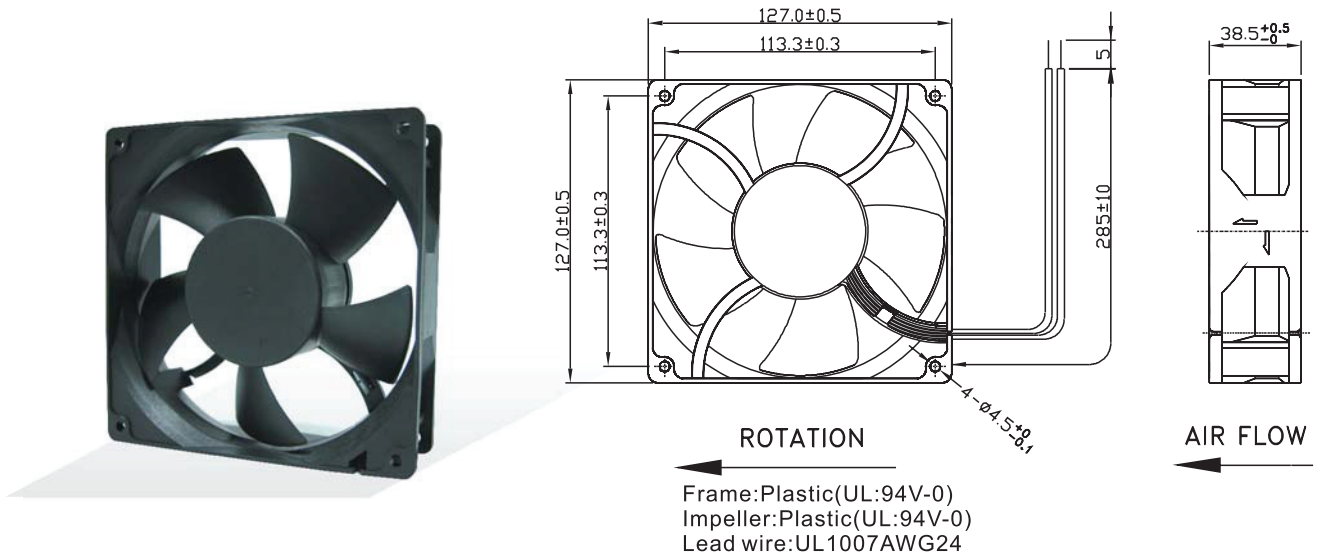




External Dimensions



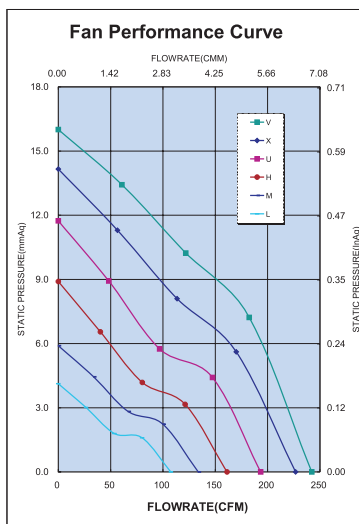
Specifications(Nominal)

*:Noise is measured at the distance of one (1) meter from the axis of intake.

Bearing type: ◎=Ball※=Sleeve○=1B1S●=Hypro bearing

Frame size (mm)	Model No.	Bearing System Type	Rated Voltage (VDC)	Current (A)	Power (W)	Rated Speed (rpm)	Maximum AirFlow (CMM)	Maximum AirFlow (CFM)	Maximum Pressure (InAq)	Maximum Pressure (mmAq)	*Noise Level (dB/A)	Weight (g)
127x127x38	AD1312LB-F51	◎	12	0.25	3.00	2000	3.030	107.00	0.160	4.00	41.0	370.0
	AD1312MB-F51	◎	12	0.38	4.56	2500	3.766	133.00	0.230	5.75	47.5	
	AD1312HB-F51	◎	12	0.65	7.80	2950	4.559	161.00	0.350	8.75	53.0	
	AD1312UB-F51	◎	12	1.06	12.72	3500	5.466	193.00	0.460	11.50	56.0	
	AD1312XB-F51	◎	12	1.95	23.40	4100	6.400	226.00	0.550	13.75	62.0	
	AD1324LB-F51	◎	24	0.15	3.60	2000	3.030	107.00	0.160	4.00	41.0	
	AD1324MB-F51	◎	24	0.22	5.28	2500	3.766	133.00	0.230	5.75	47.5	
	AD1324HB-F51	◎	24	0.36	8.64	2950	4.559	161.00	0.350	8.75	53.0	
	AD1324UB-F51	◎	24	0.50	12.00	3500	5.466	193.00	0.460	11.50	56.0	
	AD1324XB-F51	◎	24	0.94	22.56	4100	6.400	226.00	0.550	13.75	62.0	
	AD1324VB-F51	◎	24	1.10	26.40	4500	6.853	242.00	0.630	15.75	64.5	
	AD1348LB-F51	◎	48	0.11	5.28	2000	3.030	107.00	0.160	4.00	41.0	
	AD1348MB-F51	◎	48	0.15	7.20	2500	3.766	133.00	0.230	5.75	47.5	
	AD1348HB-F51	◎	48	0.21	10.08	2950	4.559	161.00	0.350	8.75	53.0	
	AD1348UB-F51	◎	48	0.31	14.88	3500	5.466	193.00	0.460	11.50	56.0	
	AD1348XB-F51	◎	48	0.50	24.00	4100	6.400	226.00	0.550	13.75	62.0	
	AD1348VB-F51	◎	48	0.64	30.72	4500	6.853	242.00	0.630	15.75	64.5	

Specifications subject to change without notice.



*Motor protective circuit and third lead wire functions

0	1	2	3	4	6	7	8	9	A	B
	✓	✓	✓					✓		✓

*Safety approvals

✓	✓		✓	✓