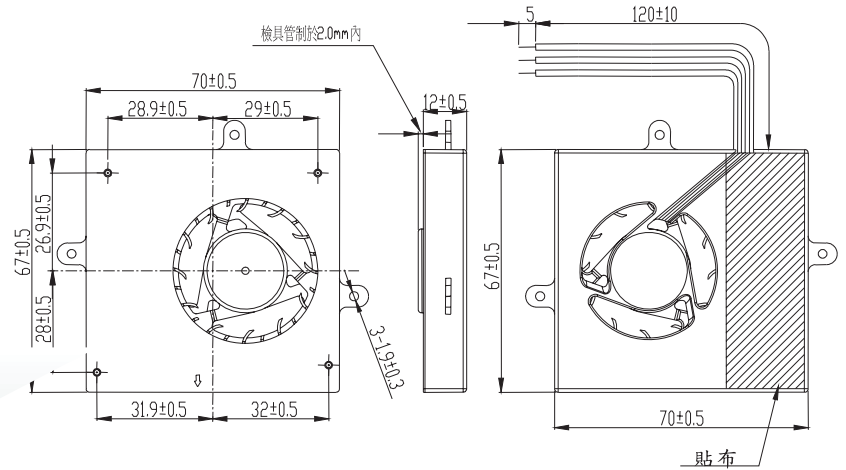




AB7012 SERIES

DC BLOWERS

External Dimensions



Frame: Aluminum alloy
 Impeller: Plastic (UL: 94V-0)
 Lead wire: UL 1571 AWG28

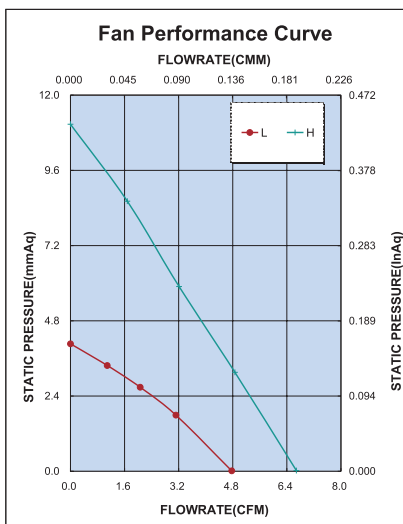
Specifications (Nominal)

*Noise is measured at the distance of one (1) meter from the axis of intake.

Bearing type: ◎=Ball ※=Sleeve ○=1B1S ●=Hypro bearing

Frame size (mm)	Model No.	Bearing System Type	Rated Voltage (VDC)	Current (A)	Power (W)	Rated Speed (rpm)	Maximum AirFlow (CMM)	Maximum AirFlow (CFM)	Maximum Pressure (InAq)	Maximum Pressure (mmAq)	*Noise Level (dB/A)	Weight (g)
70x70x12	AB7012LB-E01	◎	12	0.06	0.72	2900	0.135	4.772	0.160	4.064	24.0	35.0
	AB7012HB-E01	◎	12	0.15	1.80	3800	0.189	6.681	0.436	11.074	34.0	

Specifications subject to change without notice.



*Motor protective circuit and third lead wire functions

0	1	2	3	4	6	7	8	9	A	B
	✓									

*Safety approvals

✓	✓		✓	✓