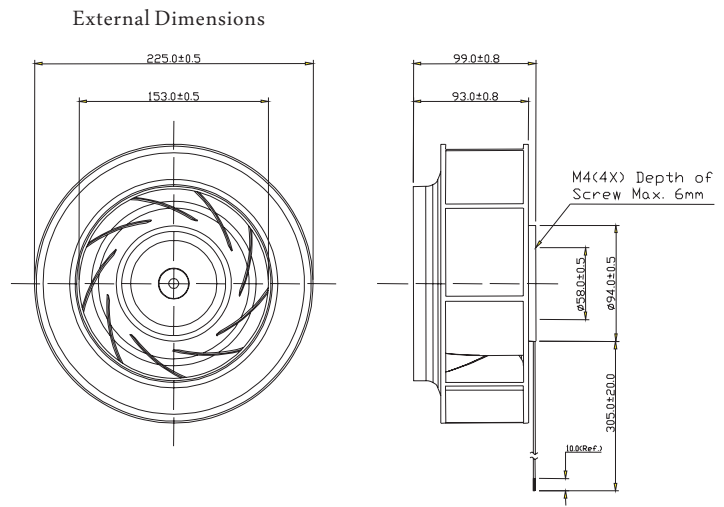




AB22599 SERIES

DC BLOWERS



Frame:Plastic(UL:94V-0)
 Impeller:Plastic(UL:94V-0)
 Bearing:Ball bearing
 Lead wire:UL1061AWG26
 VOLTAGE AVAILABLE:12V

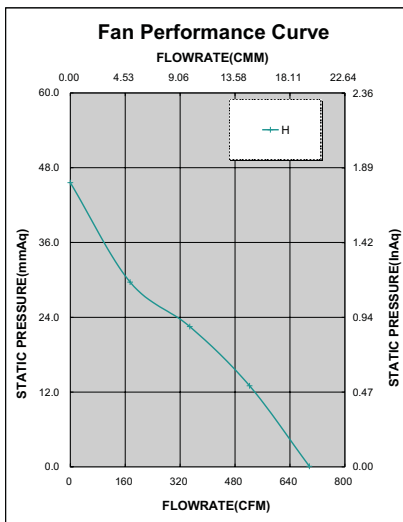
Specifications(Nominal)

*:Noise is measured at the distance of one (1) meter from the axis of intake.

Bearing type: ◎=Ball※=Sleeve○=1B1S●=Hypro bearing

Frame size (mm)	Model No.	Bearing System Type	Rated Voltage (VDC)	Rated Current (A)	Actual Current (A)	Rated Power (W)	Actual Power (W)	Rated Speed (rpm)	Maximum AirFlow (CMM)	Maximum AirFlow (CFM)	Maximum Pressure (InAq)	Maximum Pressure (mmAq)	*Noise Level (dB/A)	Weight (g)
225x99	AB22548HB999300	◎	48	1.60	1.40	76.80	67.20	2250	19.669	695.00	1.800	45.72	70.5	1050.0

Specifications subject to change without notice.



*Motor protective circuit and third lead wire functions

0	1	2	3	4	6	7	8	9	A	B
	✓	✓	✓							

*Safety approvals

				✓