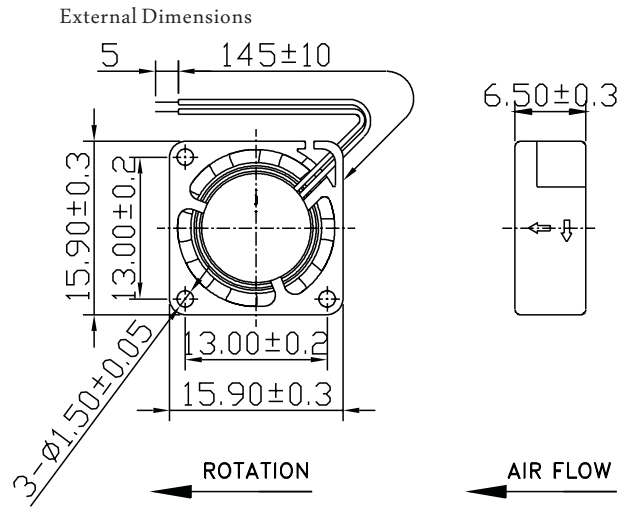
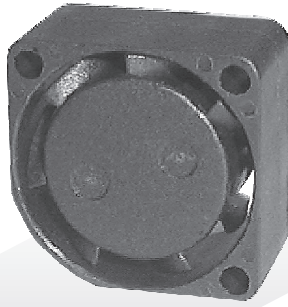




AD1506 SERIES



DC FANS



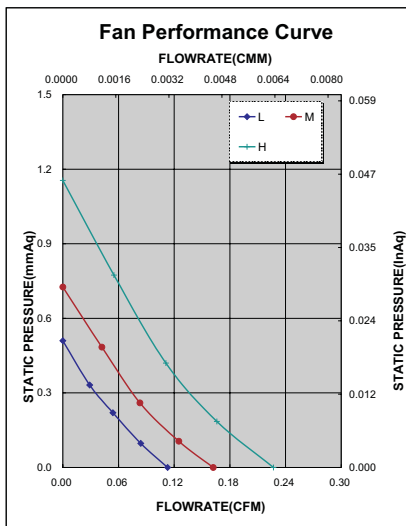
Frame:Plastic(UL:94V-0)
 Impeller:Plastic(UL:94V-0)
 Bearing:Hypro bearing
 Lead wire:UL1571AWG30
 VOLTAGE AVAILABLE:5V

Specifications(Nominal)

*:Noise is measured at the distance of one (1) meter from the axis of intake.

Frame size (mm)	Model No.	Bearing System Type	Rated Voltage (VDC)	Rated Current (A)	Actual Current (A)	Rated Power (W)	Actual Power (W)	Rated Speed (rpm)	Maximum AirFlow (CMM)	Maximum AirFlow (CFM)	Maximum Pressure (InAq)	Maximum Pressure (mmAq)	*Noise Level (dB/A)	Weight (g)
15x15x06	AD1505LX-K90(X)	●	5	0.05	0.04	0.25	0.20	9000	0.003	0.10	0.020	0.510	9.6	1.4
	AD1505MX-K90(X)	●	5	0.07	0.04	0.35	0.20	12000	0.005	0.16	0.029	0.726	12.0	
	AD1505HX-K90(X)	●	5	0.09	0.04	0.45	0.20	15000	0.006	0.22	0.045	1.155	19.0	
	AD1512LX-K90(X)	●	12	0.04	0.03	0.48	0.36	9000	0.003	0.10	0.020	0.510	9.6	
	AD1512MX-K90(X)	●	12	0.05	0.04	0.60	0.48	12000	0.005	0.16	0.029	0.726	12.0	
	AD1512HX-K90(X)	●	12	0.06	0.05	0.72	0.60	15000	0.006	0.22	0.045	1.155	19.0	

Specifications subject to change without notice.



*Motor protective circuit and third lead wire functions

0	1	2	3	4	6	7	8	9	A	B
✓										

*Safety approvals

				✓