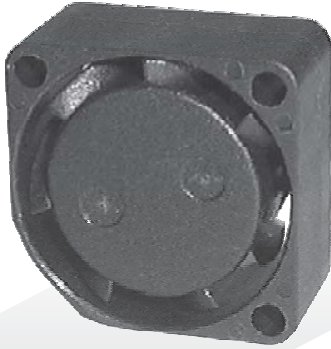




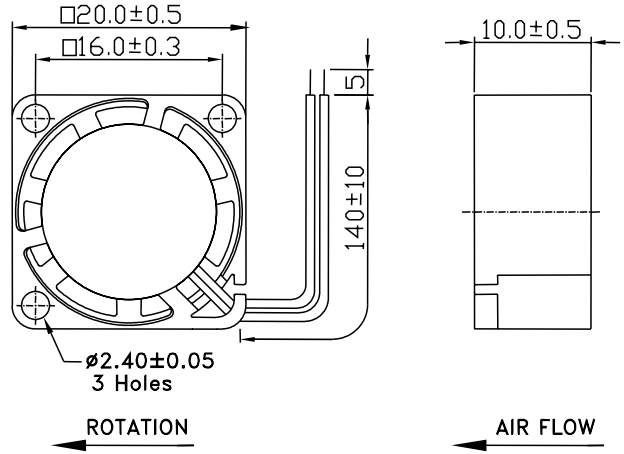
AD2010 SERIES



DC FANS



External Dimensions



Frame: Plastic (UL:94V-0)
 Impeller: Plastic (UL:94V-0)
 Bearing: Ball, 1B1S, Hydro bearing
 Lead wire: UL1571AWG28
 VOLTAGE AVAILABLE: 5V, 12V

Specifications (Nominal)

*Noise is measured at the distance of one (1) meter from the axis of intake.

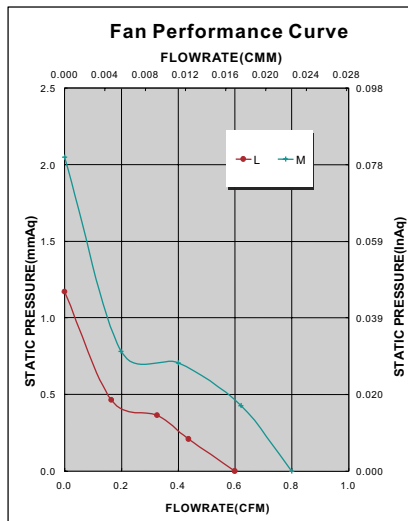
Bearing type: ⊙=Ball ○=1B1S ●=Hydro bearing

Frame size (mm)	Model No.	Bearing System Type	Rated Voltage (VDC)	Rated Current (A)	Actual Current (A)	Rated Power (W)	Actual Power (W)	Rated Speed (rpm)	Maximum AirFlow (CMM)	Maximum AirFlow (CFM)	Maximum Pressure (InAq)	Maximum Pressure (mmAq)	*Noise Level (dB/A)	Weight (g)
20x20x10	AD2005LB-G70	⊙ ○	5	0.08	0.06	0.40	0.30	9000	0.017	0.60	0.055	1.40	20.0	6.0
	AD2005MB-G70	⊙ ○	5	0.14	0.11	0.70	0.55	11500	0.023	0.80	0.072	1.83	26.0	
	AD2012LB-G70	⊙ ○	12	0.06	0.06	0.72	0.72	9000	0.017	0.60	0.055	1.40	20.0	
	AD2012MB-G70	⊙ ○	12	0.07	0.05	0.84	0.60	11500	0.023	0.80	0.072	1.83	26.0	
	AD2012HB-G70	⊙ ○	12	0.09	0.08	1.08	0.96	14000	0.027	0.95	0.160	4.06	29.0	

Specifications subject to change without notice.

20x20x10	AD2005LX-G70(X)	●	5	0.08	0.07	0.40	0.35	9000	0.017	0.60	0.055	1.40	20.0	6.0
	AD2005MX-G70(X)	●	5	0.14	0.11	0.70	0.55	11500	0.023	0.80	0.072	1.83	26.0	
	AD2012LX-G70(X)	●	12	0.06	0.06	0.72	0.72	9000	0.017	0.60	0.055	1.40	20.0	
	AD2012MX-G70(X)	●	12	0.07	0.07	0.84	0.84	11500	0.023	0.80	0.072	1.83	26.0	
	AD2012HX-G70(X)	●	12	0.09	0.08	1.08	0.96	14000	0.027	0.95	0.160	4.06	29.0	

Specifications subject to change without notice.



*Motor protective circuit and third lead wire functions

0	1	2	3	4	6	7	8	9	A	B
✓	✓		✓		✓					

*Safety approvals

✓	✓		✓	✓