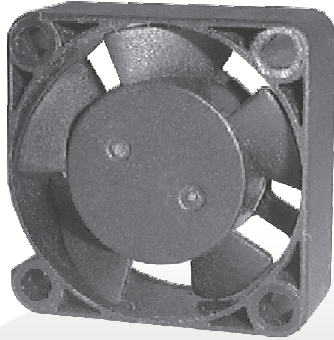




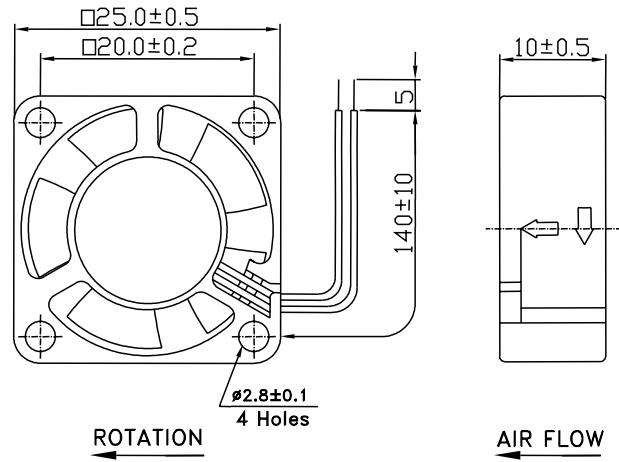
AD2510 SERIES



DC FANS



External Dimensions



Frame:Plastic(UL:94V-0)
 Impeller:Plastic(UL:94V-0)
 Bearing:Ball, 1B1S, Hypro bearing
 Lead wire:UL1571AWG28
 VOLTAGE AVAILABLE:5V,12V

Specifications(Nominal)

*:Noise is measured at the distance of one (1) meter from the axis of intake.

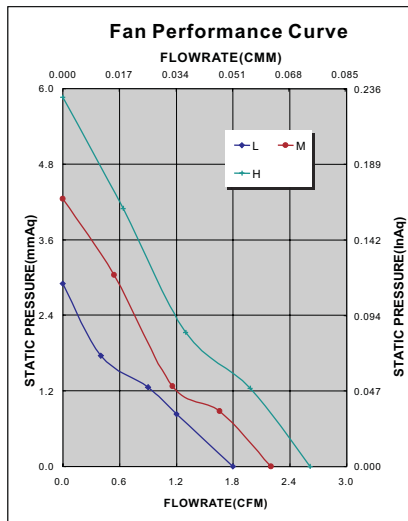
Bearing type: ◎=Ball ○=1B1S ●=Hypro bearing

Frame size (mm)	Model No.	Bearing System Type	Rated Voltage (VDC)	Rated Current (A)	Actual Current (A)	Rated Power (W)	Actual Power (W)	Rated Speed (rpm)	Maximum AirFlow (CMM)	Maximum AirFlow (CFM)	Maximum Pressure (InAq)	Maximum Pressure (mmAq)	*Noise Level (dB/A)	Weight (g)
25x25x10	AD0205LB-G50GL	◎ ○	5	0.10	0.08	0.50	0.40	8000	0.051	1.80	0.116	2.90	15.6	8.0
	AD0205MB-G50GL	◎ ○	5	0.12	0.10	0.60	0.50	10000	0.065	2.30	0.173	4.25	23.1	
	AD0205HB-G50GL	◎ ○	5	0.18	0.17	0.90	0.85	12000	0.074	2.80	0.236	5.86	28.0	
	AD0212DB-G50GL	◎ ○	12	0.05	0.04	0.60	0.48	6000	0.037	1.30	0.065	1.65	12.5	
	AD0212LB-G50GL	◎ ○	12	0.07	0.07	0.84	0.84	8000	0.051	1.80	0.116	2.90	15.6	
	AD0212MB-G50GL	◎ ○	12	0.08	0.06	0.96	0.72	10000	0.065	2.30	0.173	4.39	23.1	
	AD0212HB-G50GL	◎ ○	12	0.09	0.06	1.08	0.72	12000	0.074	2.80	0.236	5.86	28.0	

Specifications subject to change without notice.

25x25x10	AD0205LX-G50GL(X)	●	5	0.10	0.08	0.50	0.40	8000	0.051	1.80	0.116	2.90	15.6	8.0
	AD0205MX-G50GL(X)	●	5	0.12	0.11	0.60	0.55	10000	0.065	2.30	0.173	4.25	23.1	
	AD0205HX-G50GL(X)	●	5	0.18	0.12	0.90	0.60	12000	0.074	2.80	0.236	5.86	28.0	
	AD0212DX-G50GL(X)	●	12	0.05	0.04	0.60	0.48	6000	0.037	1.30	0.065	1.65	12.5	
	AD0212LX-G50GL(X)	●	12	0.07	0.07	0.84	0.84	8000	0.051	1.80	0.116	2.90	15.6	
	AD0212MX-G50GL(X)	●	12	0.08	0.06	0.96	0.72	10000	0.065	2.30	0.173	4.39	23.1	
	AD0212HX-G50GL(X)	●	12	0.09	0.06	1.08	0.72	12000	0.074	2.80	0.236	5.86	28.0	

Specifications subject to change without notice.



*Motor protective circuit and third lead wire functions

0	1	2	3	4	6	7	8	9	A	B
✓	✓				✓					

*Safety approvals

✓	✓		✓	✓