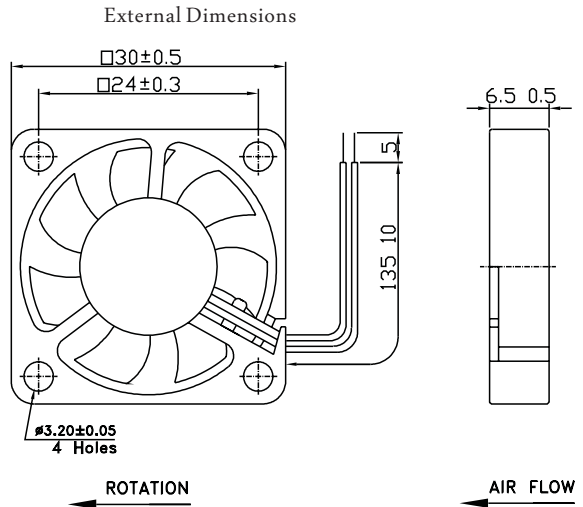
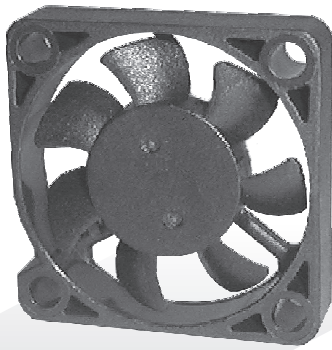




# AD3006 SERIES



# DC FANS



Frame: Plastic(UL:94V-0)  
 Impeller: Plastic(UL:94V-0)  
 Bearing: 1B1S, Hypro bearing  
 Lead wire: UL1571AWG28  
 VOLTAGE AVAILABLE: 5V, 12V

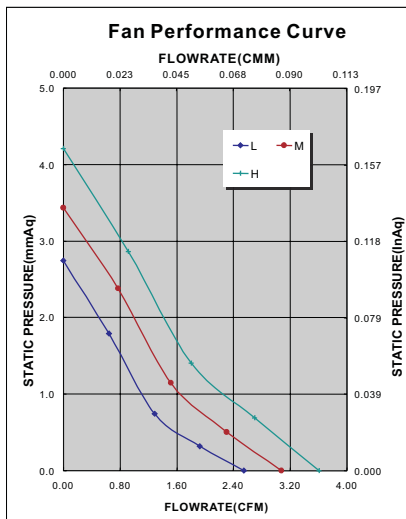
### Specifications(Nominal)

\*Noise is measured at the distance of one (1) meter from the axis of intake.

Bearing type: ○=Ball※=Sleeve○=1B1S●=Hypro bearing

Frame size (mm)	Model No.	Bearing System Type	Rated Voltage (VDC)	Rated Current (A)	Actual Current (A)	Rated Power (W)	Actual Power (W)	Rated Speed (rpm)	Maximum AirFlow (CMM)	Maximum AirFlow (CFM)	Maximum Pressure (InAq)	Maximum Pressure (mmAq)	*Noise Level (dB/A)	Weight (g)
30x30x06	AD0305DX-K70	○●	5	0.07	0.05	0.35	0.25	6000	0.057	2.55	0.050	1.27	17.0	6.0
	AD0305LX-K70	○●	5	0.09	0.05	0.45	0.25	7500	0.072	2.55	0.082	2.08	20.0	
	AD0305MX-K70	○●	5	0.12	0.10	0.60	0.50	9000	0.087	3.08	0.137	3.44	27.9	
	AD0305HX-K70	○●	5	0.18	0.12	0.90	0.60	10500	0.102	3.61	0.169	4.21	32.1	
	AD0312LX-K70	○●	12	0.06	0.05	0.72	0.60	7500	0.072	2.55	0.082	2.08	20.0	
	AD0312HX-K70	○●	12	0.10	0.08	1.20	0.96	10500	0.102	3.61	0.169	4.21	32.1	

Specifications subject to change without notice.



\*Motor protective circuit and third lead wire functions

0	1	2	3	4	6	7	8	9	A	B
✓	✓		✓							

\*Safety approvals

✓	✓		✓	✓