

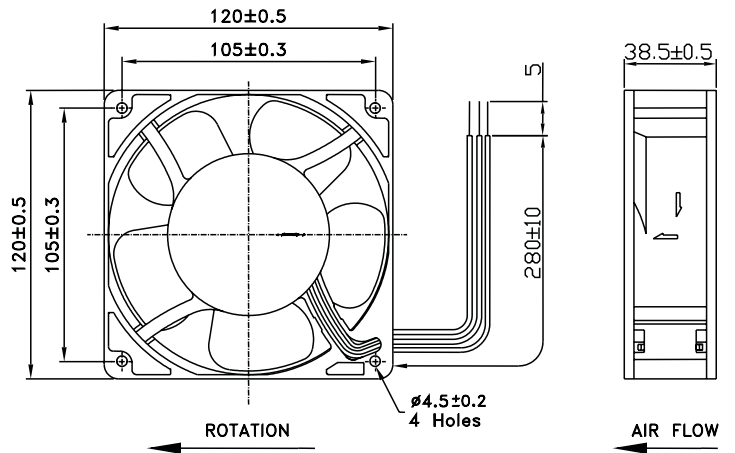


# AD12038 SERIES

# DC FANS



External Dimensions



Frame: Plastic(UL:94V-0)  
 Impeller: Plastic(UL:94V-0)  
 Bearing: Ball, Sleeve, Hypro bearing  
 Lead wire: UL1007AWG24  
 VOLTAGE AVAILABLE: 12V,24V,48V

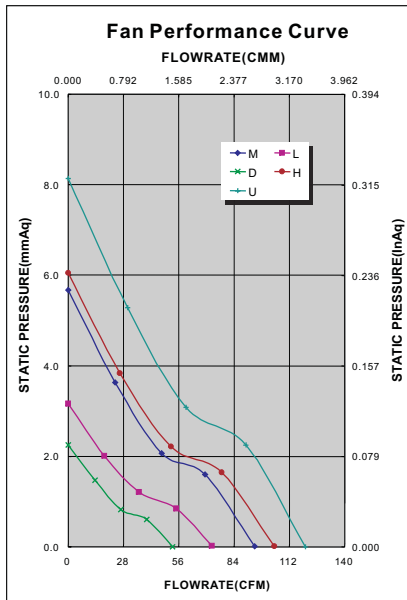
Specifications(Nominal)

\*:Noise is measured at the distance of one (1) meter from the axis of intake.

Bearing type: ⊙=Ball ⊗=Sleeve ⊖=1B1S ⊕=Hypro bearing

Frame size (mm)	Model No.	Bearing System Type	Rated Voltage (VDC)	Rated Current (A)	Actual Current (A)	Rated Power (W)	Actual Power (W)	Rated Speed (rpm)	Maximum AirFlow (CMM)	Maximum AirFlow (CFM)	Maximum Pressure (InAq)	Maximum Pressure (mmAq)	*Noise Level (dB/A)	Weight (g)
120x120x38	AD1212DB-F51	⊙ ⊗ ⊕	12	0.16	0.12	1.92	1.44	1500	1.618	57.20	0.085	1.16	28.4	297.0
	AD1212LB-F51	⊙ ⊗ ⊕	12	0.24	0.22	2.88	2.64	1950	2.026	71.60	0.128	3.25	36.2	
	AD1212MB-F51	⊙ ⊗ ⊕	12	0.35	0.34	4.20	4.08	2540	2.725	96.30	0.228	5.79	45.0	
	AD1212HB-F51	⊙ ⊗ ⊕	12	0.50	0.39	6.00	4.68	2800	2.982	105.40	0.265	6.73	46.7	
	AD1212UB-F51	⊙ ⊗ ⊕	12	0.70	0.62	8.40	7.44	3200	3.452	122.00	0.349	10.00	48.0	
	AD1224DB-F51	⊙ ⊗ ⊕	12	0.10	0.07	2.40	1.68	1500	1.618	57.20	0.085	2.16	28.4	
	AD1224LB-F51	⊙ ⊗ ⊕	24	0.14	0.10	3.36	2.40	1950	2.026	71.60	0.128	3.25	36.2	
	AD1224MB-F51	⊙ ⊗ ⊕	24	0.23	0.20	5.52	4.80	2540	2.725	96.30	0.228	5.79	45.0	
	AD1224HB-F51	⊙ ⊗ ⊕	24	0.32	0.26	7.68	6.24	2800	2.982	105.40	0.265	6.73	46.7	
	AD1224UB-F51	⊙ ⊗ ⊕	24	0.40	0.38	9.60	9.12	3200	3.452	122.00	0.349	10.00	48.0	
	AD1248LB-F51	⊙ ⊗ ⊕	48	0.10	0.09	4.80	2.88	1950	2.026	57.20	0.128	3.25	36.2	
	AD1248MB-F51	⊙ ⊗ ⊕	48	0.14	0.13	6.72	6.24	2540	2.725	96.30	0.228	5.79	45.0	
	AD1248HB-F51	⊙ ⊗ ⊕	48	0.20	0.18	9.60	8.64	2800	2.982	105.40	0.265	6.73	46.7	
	AD1248UB-F51	⊙ ⊗ ⊕	48	0.23	0.22	11.04	10.56	3200	3.452	122.00	0.349	10.00	48.0	

Specifications subject to change without notice.

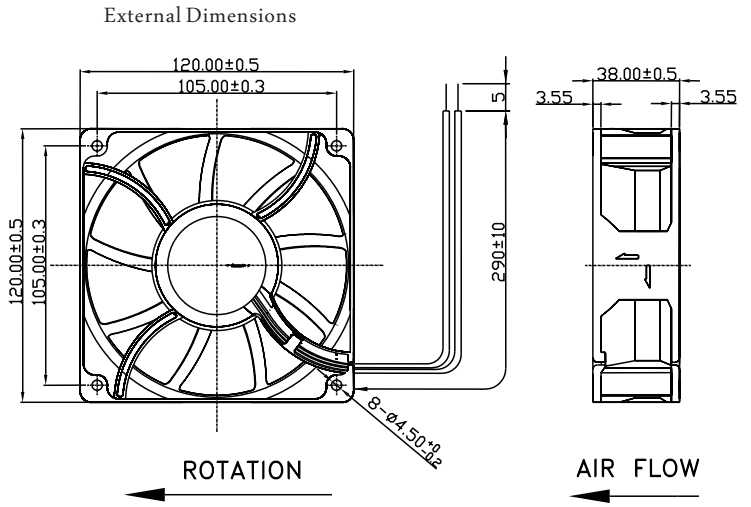


\*Motor protective circuit and third lead wire functions

0	1	2	3	4	6	7	8	9	A	B
	✓	✓	✓	✓						

\*Safety approvals

✓	✓		✓	✓



Frame: Plastic(UL:94V-0), Aluminum  
 Impeller: Plastic(UL:94V-0)  
 Bearing: Ball bearing  
 Lead wire: UL1007AWG24  
 VOLTAGE AVAILABLE: 12V, 24V, 48V

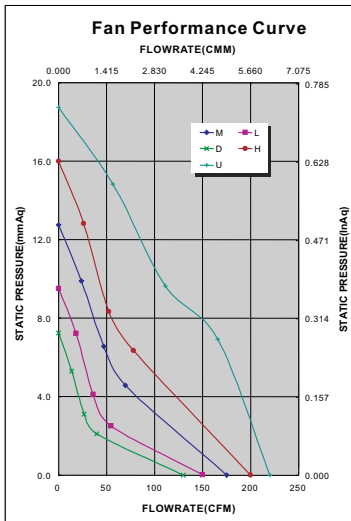
### Specifications(Nominal)

\*Noise is measured at the distance of one (1) meter from the axis of intake.

Bearing type: ○=Ball \* =Sleeve ○=1B1S ●=Hypro bearing

Frame size (mm)	Model No.	Bearing System Type	Rated Voltage (VDC)	Rated Current (A)	Actual Current (A)	Rated Power (W)	Actual Power (W)	Rated Speed (rpm)	Maximum AirFlow (CMM)	Maximum AirFlow (CFM)	Maximum Pressure (InAq)	Maximum Pressure (mmAq)	*Noise Level (dB/A)	Weight (g)
120x120x38	AD1212DB-F91GP(F)	○	12	0.57	0.49	6.84	5.88	2800	3.682	130.00	0.290	7.25	48.5	335.0 /Plastic 390.0 /Aluminum
	AD1212LB-F91GP(F)	○	12	0.87	0.70	10.44	8.40	3200	4.248	150.00	0.380	9.50	52.5	
	AD1212MB-F91GP(F)	○	12	1.50	0.96	18.00	11.52	3800	4.956	175.00	0.510	12.75	57.5	
	AD1212HB-F91GP(F)	○	12	1.95	1.62	23.40	19.44	4300	5.664	200.00	0.640	16.00	61.0	
	AD1224DB-F91GP(F)	○	24	0.30	0.23	7.20	5.52	2800	3.682	130.00	0.290	7.25	48.5	
	AD1224LB-F91GP(F)	○	24	0.42	0.36	10.08	8.64	3200	4.248	150.00	0.380	9.50	52.5	
	AD1224MB-F91GP(F)	○	24	0.68	0.58	16.32	13.92	3800	4.956	175.00	0.510	12.75	57.5	
	AD1224HB-F91GP(F)	○	24	0.98	0.80	23.52	19.20	4300	5.664	200.00	0.640	16.00	61.0	
	AD1224UB-F91GP(F)	○	24	1.30	1.15	31.20	27.60	4700	6.230	220.00	0.750	18.75	63.0	
	AD1248DB-F91GP(F)	○	48	0.18	0.16	8.64	7.68	2800	3.682	130.00	0.290	7.25	48.5	
	AD1248LB-F91GP(F)	○	48	0.22	0.18	10.56	8.64	3200	4.248	150.00	0.380	9.50	52.5	
	AD1248MB-F91GP(F)	○	48	0.36	0.28	17.28	13.44	3800	4.956	175.00	0.510	12.75	57.5	
	AD1248HB-F91GP(F)	○	48	0.52	0.44	24.96	21.12	4300	5.664	200.00	0.640	16.00	61.0	
	AD1248UB-F91GP(F)	○	48	0.68	0.58	32.64	27.84	4700	6.230	220.00	0.750	18.75	63.0	

Specifications subject to change without notice.



\*Motor protective circuit and third lead wire functions

0	1	2	3	4	6	7	8	9	A	B
	✓	✓	✓					✓		✓

\*Safety approvals

✓	✓		✓	✓